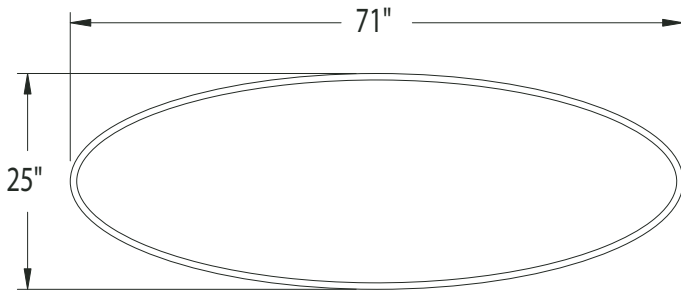


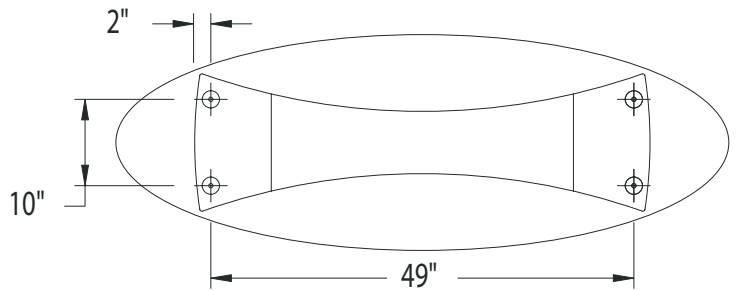
Model # SL504

Dimension Sheet

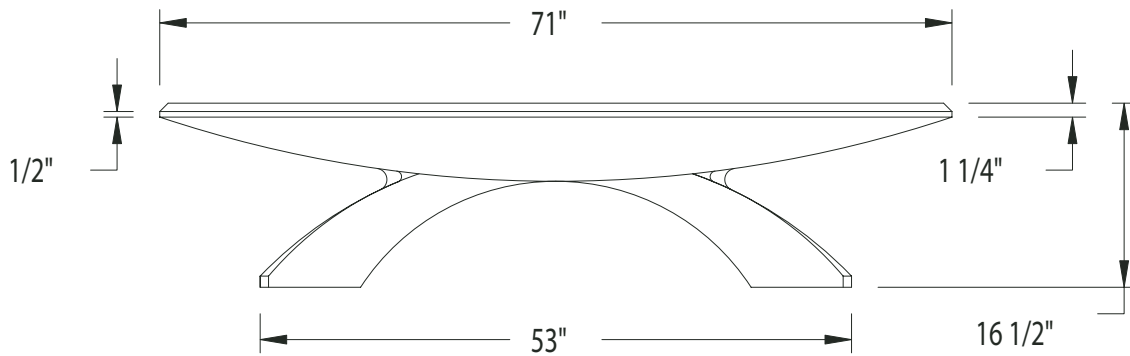
Precast Concrete Park Bench



TOP VIEW BENCH



BOTTOM VIEW BENCH



ELEVATION VIEW BENCH

- Size: 71" x 25" x 17"
- Weight: 815 lbs.
- Material: Reinforced Precast Concrete.
- Hardware: (4) 1/2" s/s inserts.
- Reinforcing: 3/8" steel reinforcement.
- Anchoring: Optional.
- Maintenance: Periodically rinse with water & mild detergent, and re-seal annually.
- Packaging: Banding to pallet optional. One piece construction.

2.2 MATERIALS

- A. Portland Cement: ASTM C150 specifications for Portland Cement.
- B. Aggregates: All aggregates to meet ASTM C33 specifications, to be cleaned of foreign matter and properly graded to size.
- C. Coloring: All Precast products for this project shall be of one manufacturer.