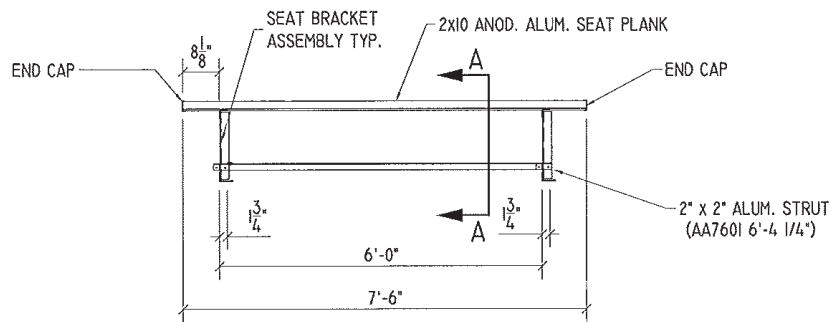
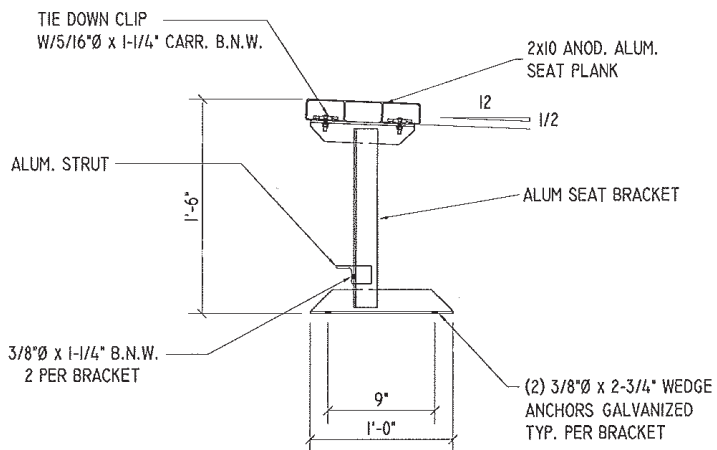


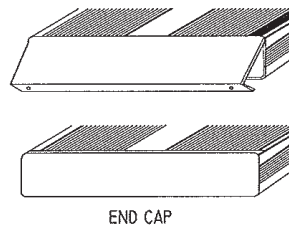
TEAM SERIES ALUMINUM PLAYER BENCH | 7.5' LENGTH



SPARTAN SERIES TEAM BENCH
 SURFACE MOUNTED (WITHOUT BACK REST)



SECTION A



1. LOCATE THE CHANNEL END CAP AS SHOWN, WITH THE WIDER FLANGE ON BOTTOM.
2. TAP THE CHANNEL INTO PLACE WITH A RUBBER Mallet OR SOFT WOOD.
3. DRILL (2) No. 8 x 3/4" TEK SCREWS W/ WEATHERCOATING THRU END CAP AND BOTTOM FLANGE OF PLANK

ENDCAP INSTALLATION DETAIL