

# BS-0321

## ***NON ELEVATED 3 ROW x 21'-0" BLEACHER***

DRAWING REFERENCE NUMBER:  
NB-0321ASTD

### DRAWING SHEET INDEX

1.CS	COVER SHEET
2.TD	SEATING PLAN
3.FP	FOUNDATION PLAN
4.BA	BLEACHER ASSEMBLY PREP
5.BA	BLEACHER ASSEMBLY
6.AP	ANCHORING PLAN
7.PF	PLANK AND FRAMING PLAN

### RECOMMENDED TOOLS

SOCKET WRENCH	POP RIVET GUN	CORDLESS DRILL
½" DEEP WELL SOCKET	LEVEL	⅝" DRILL BIT
¾" DEEP WELL SOCKET	RUBBER Mallet	⅞" DRILL BIT
TAPE MEASURE	GLOVES	SAFETY GLASSES



627 Amersale Drive  
Naperville, IL 60563  
Phone: (800) 323-5664  
Fax: (630) 897-0573  
sales@belson.com

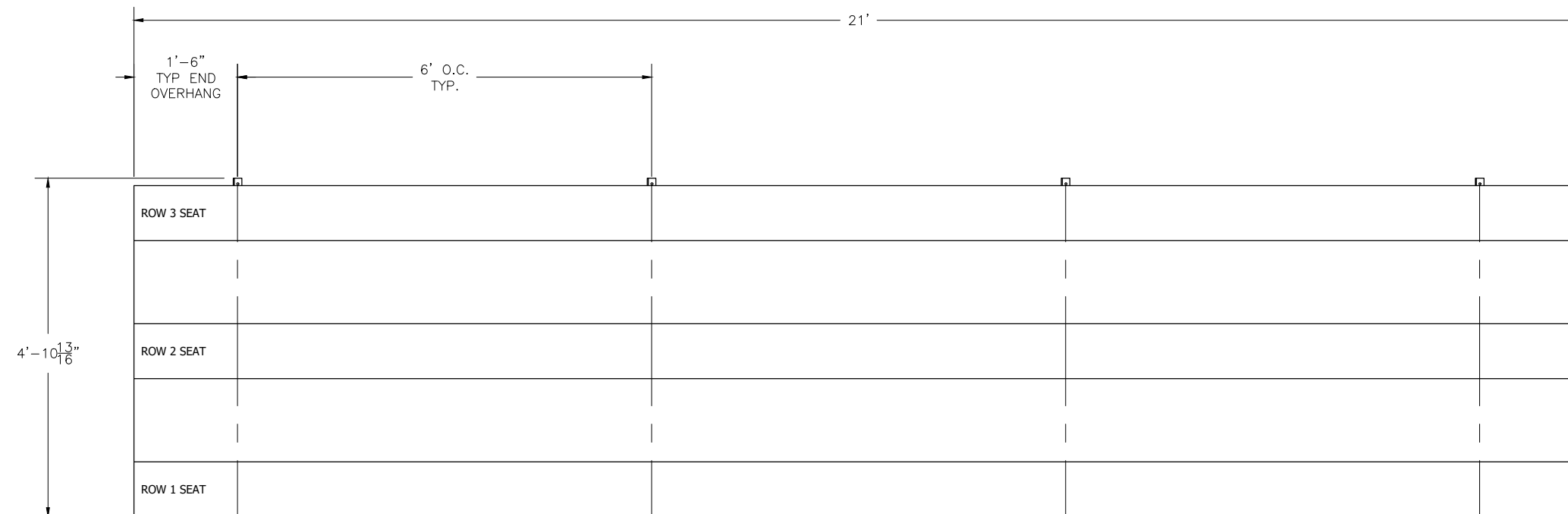
This drawing and all information contained herein is the property of BELSON, and is not to be reproduced without the express written permission of this manufacturer. We assume no responsibility for unauthorized use of this drawing. BELSON is not responsible for local permits and occupancy requirements.

MODEL: BS-0321

DESCRIPTION: NON-ELEV. 3 ROW x 21' ASSEMBLY COVER SHEET

DRAWN BY: IP    DATE: 5/24/22    REVISION: A    SCALE: N.T.S.    SHEET NUMBER: 1.CS

BLEACHER TOP VIEW



SECTION LENGTH	GROSS SEATS	ACTUAL SEATS	NO. OF ROWS	NET SEATS
21	14.00	14.00	3	42
				<b>NET SEATS 42</b>
				<b>WHEELCHAIR SPACES 0</b>
				<b>TOTAL NET SEATING CAPACITY 42</b>
				<b>(BASED ON 18" PER SEAT)</b>

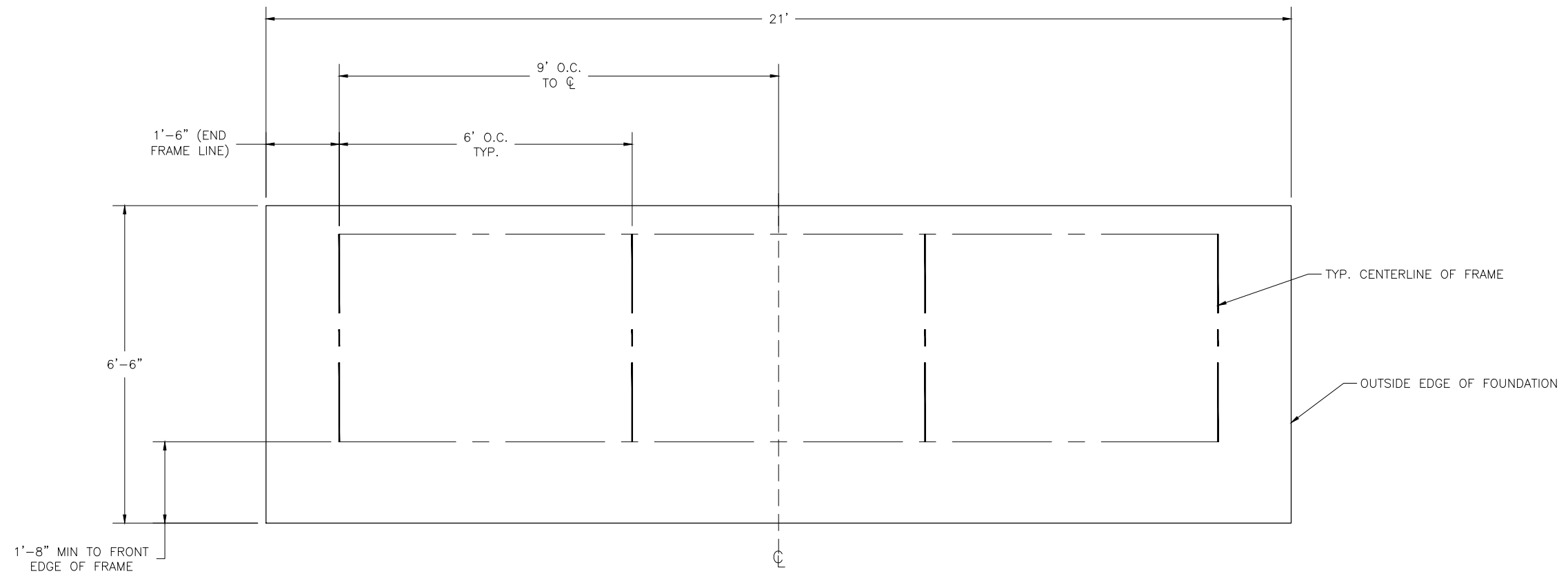


627 Amersale Drive  
Naperville, IL 60563  
Phone: (800) 323-5664  
Fax: (630) 897-0573  
sales@belson.com

This drawing and all information contained herein is the property of BELSON, and is not to be reproduced without the express written permission of this manufacturer. We assume no responsibility for unauthorized use of this drawing. BELSON is not responsible for local permits and occupancy requirements.

MODEL: BS-0321				
DESCRIPTION: NON-ELEV. 3 ROW x 21' BLEACHER SEATING PLAN				
DRAWN BY: IP	DATE: 5/24/22	REVISION: A	SCALE: N.T.S.	SHEET NUMBER: 2.TD

## LOCATE FRAMES ON FOUNDATION



### CONCRETE FOUNDATION SPECIFICATIONS

#### SCOPE:

Foundation construction is not part of BELSON OUTDOORS' scope of work unless noted otherwise in the contract documents. The OWNER shall review the foundation design with local code authorities and coordinate with BELSON OUTDOORS.

#### FOUNDATION DESIGN & ANCHORS:

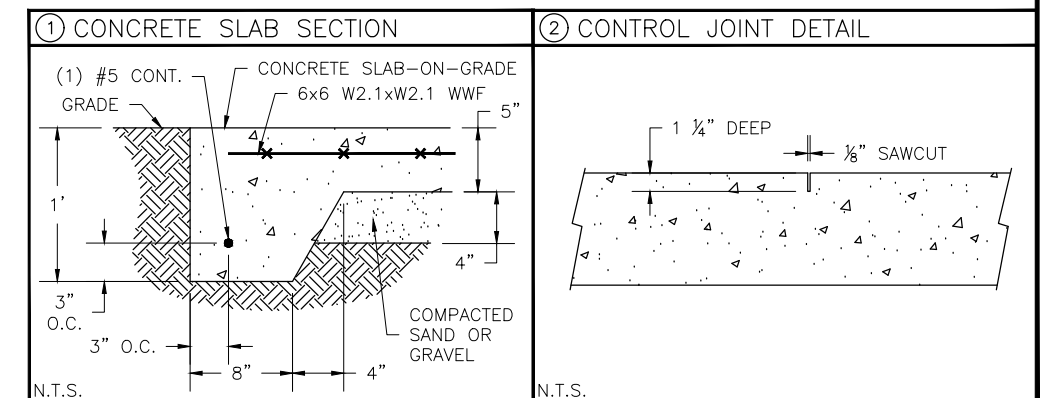
- 1) The foundation designs are based on the following:
  - a) Minimum presumed soil bearing of 2000 psf.
  - b) Bleacher frame dead and live load of 700 lbs./ft.
  - c) Bleacher frame wind uplift of 250 lbs./ft.
- 2) Unless otherwise specified on the drawings the bleacher frames shall be attached to concrete with a 1/2" dia. x 3/4" wedge type expansion anchor. The anchors shall be embedded a minimum of 2" into the concrete.

#### CONCRETE SPECIFICATIONS:

- 1) All concrete construction shall be in accordance with *ACI 318.08*.
- 2) All concrete shall be air-entrained using an air entraining admixtruing meeting *ASTM C620*. Total air content: 5%-7% per *ASTM C173*.
- 3) All concrete shall have a minimum 28-day strength of  $F_c=3000$ psi. Concrete shall have air-entrainment
- 4) A 1/4" bituminous expansion joint material shall be placed between strip and slab foundations when adjacent to each other.
- 5) The depressions in the top of the foundations between high spots shall not exceed 1/16" below 10-foot long straightedge. The 10-foot straightedge method used to measure foundation flatness shall be in accordance with *ACI 302.1R-04 "Guide for Concrete Floor and Slab Construction"*.

#### CONCRETE SLAB RECOMMENDED SPECIFICATIONS:

- 1) Concrete slab shall have a minimum thickness of 5" (some areas may require 6") and placed on 4" of compacted gravel or compacted sub base.
- 2) BELSON OUTDOORS recommends that the concrete slab be reinforced with 6x6 W2.1xW2.1 WWF at 1 1/2" concrete cover from the top. In lieu of welded wire fabric, steel fiber substitution requires OWNER approval and his understanding of potential maintenance issues.
- 3) Contractor may substitute blended fiber reinforcing, provided the blend consists of multifilament polypropylene fibers and cold drawn steel wire fibers. Novamesh 950 or approved equivalent, applied at a dosage rate of 5lb/CY unless specified otherwise or a different recommendation is made by the manufacturer.
- 4) Crack control joints shall be sawed into slab to form approximate square patterns. The maximum spacing for control joints shall not exceed 13'-6", UNLESS INDICATED OTHERWISE. The bleacher frames shall not be set on control joints. The designer shall contact BELSON OUTDOORS to coordinate joint spacing requirements with the specific bleacher design.
- 5) The slab may be sloped a maximum of 1/8 inch per foot for drainage. The maximum overall out of level slope for the slab perpendicular to the seats (front to rear) shall not exceed 2" and parallel to the seats (end to end) shall not exceed 4".



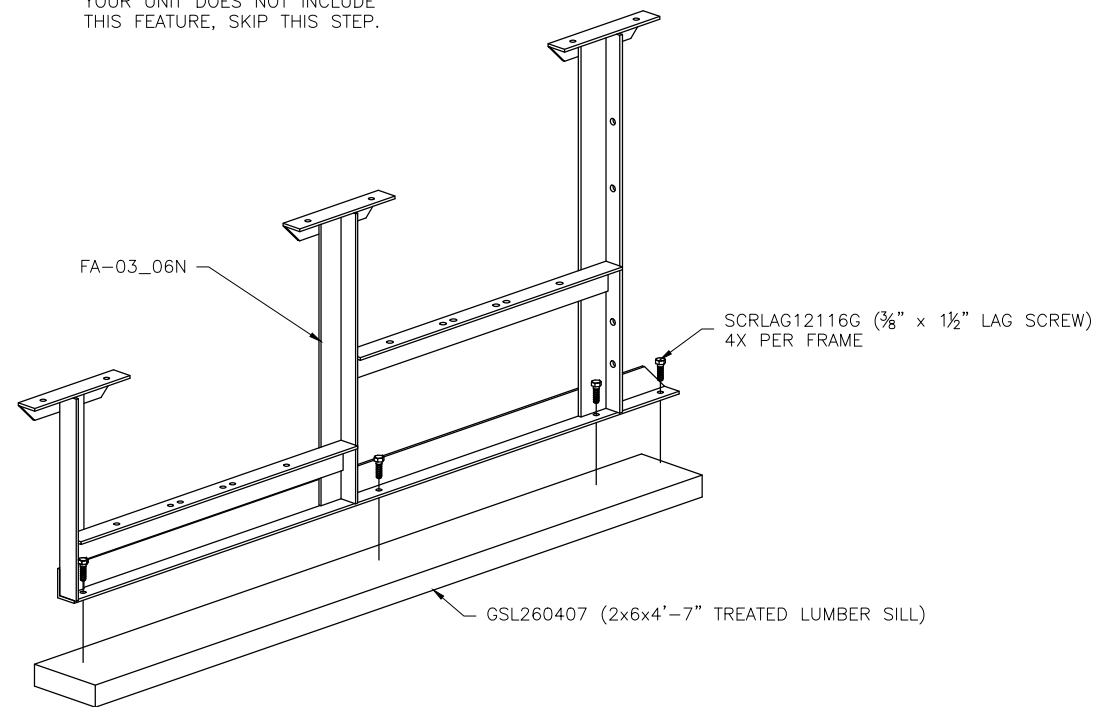
**627 Amersale Drive**  
**Naperville, IL 60563**  
**Phone: (800) 323-5664**  
**Fax: (630) 897-0573**  
**sales@belson.com**

This drawing and all information contained herein is the property of BELSON. and is not to be reproduced without the express written permission of this manufacturer. We assume no responsibility for unauthorized use of this drawing. BELSON. is not responsible for local permits and occupancy requirements.

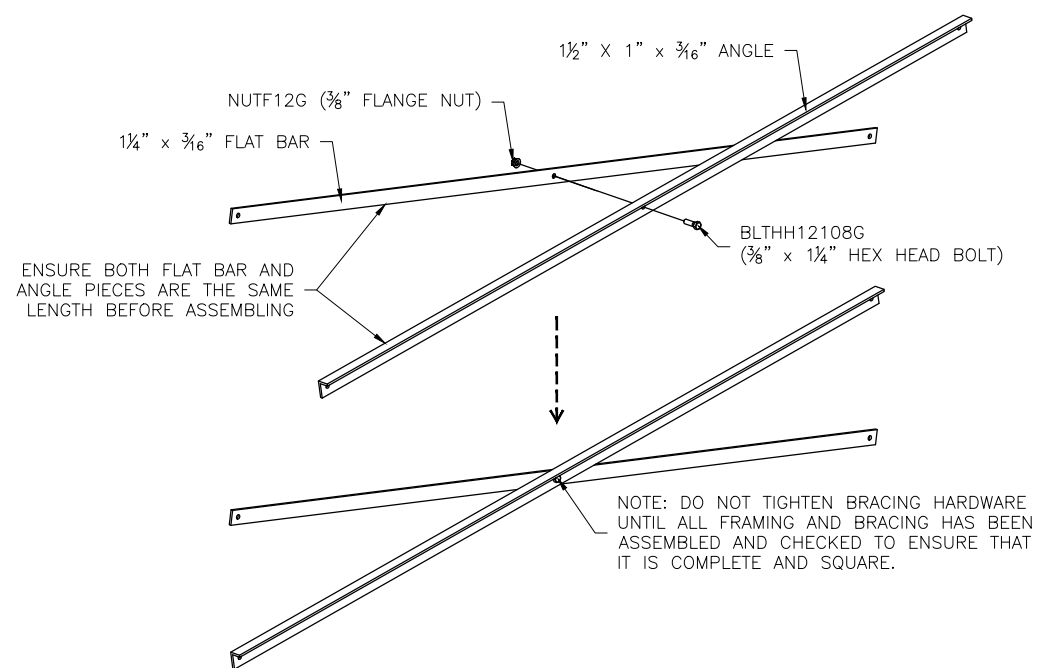
MODEL: BS-0321	
DESCRIPTION: NON-ELEV. 3 ROW x 21' FOUNDATION PLAN	
DRAWN BY: IP	DATE: 5/24/22
REVISION: A	SCALE: N.T.S.
SHEET NUMBER: 3.FP	

**(OPTIONAL) ATTACH GROUND SILLS \***

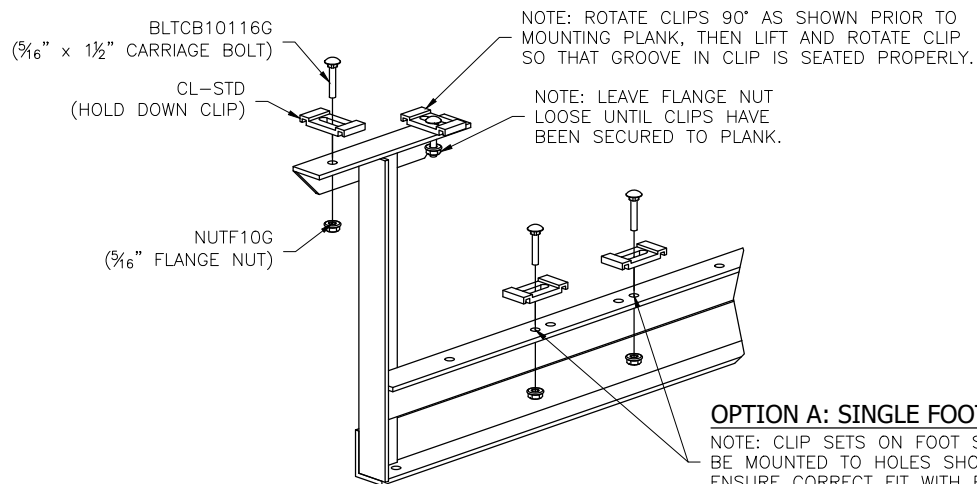
\*NOT ALL BLEACHERS WILL RECEIVE GROUND SILLS. IF YOUR UNIT DOES NOT INCLUDE THIS FEATURE, SKIP THIS STEP.



**PRE-ASSEMBLE X-BRACE PAIR(S)**

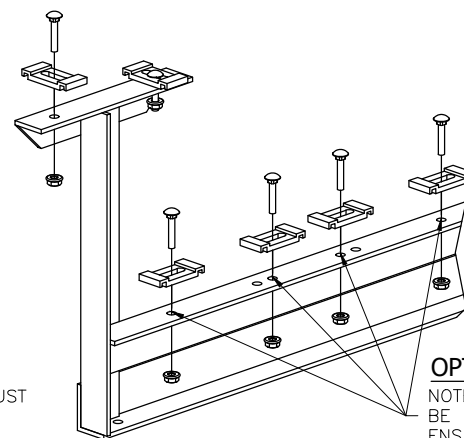


**ONCE FRAMING IS COMPLETE,  
PRE-ASSEMBLE CLIP SETS ON BLEACHER FRAMES**



**OPTION A: SINGLE FOOT BOARDS**

NOTE: CLIP SETS ON FOOT SUPPORTS MUST BE MOUNTED TO HOLES SHOWN HERE TO ENSURE CORRECT FIT WITH FOOT PLANK.



**OPTION B: DOUBLE FOOT BOARDS**

NOTE: CLIP SETS ON FOOT SUPPORTS MUST BE MOUNTED TO HOLES SHOWN HERE TO ENSURE CORRECT FIT WITH FOOT PLANK.

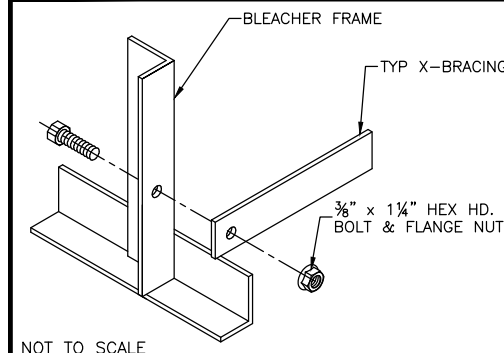


627 Amersale Drive  
Naperville, IL 60563  
Phone: (800) 323-5664  
Fax: (630) 897-0573  
sales@belson.com

This drawing and all information contained herein is the property of BELSON, and is not to be reproduced without the express written permission of this manufacturer. We assume no responsibility for unauthorized use of this drawing. BELSON, is not responsible for local permits and occupancy requirements.

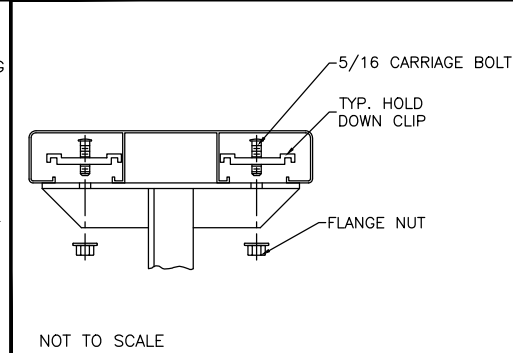
MODEL: BS-0321	
DESCRIPTION: NON-ELEV. 3 ROW x 21' BLEACHER ASSEMBLY	
DRAWN BY: IP	DATE: 5/24/22
REVISION: A	SCALE: N.T.S.
SHEET NUMBER: 4,BA	

1 TYP X-BRACE CONN. W/ 1 1/4" BOLT



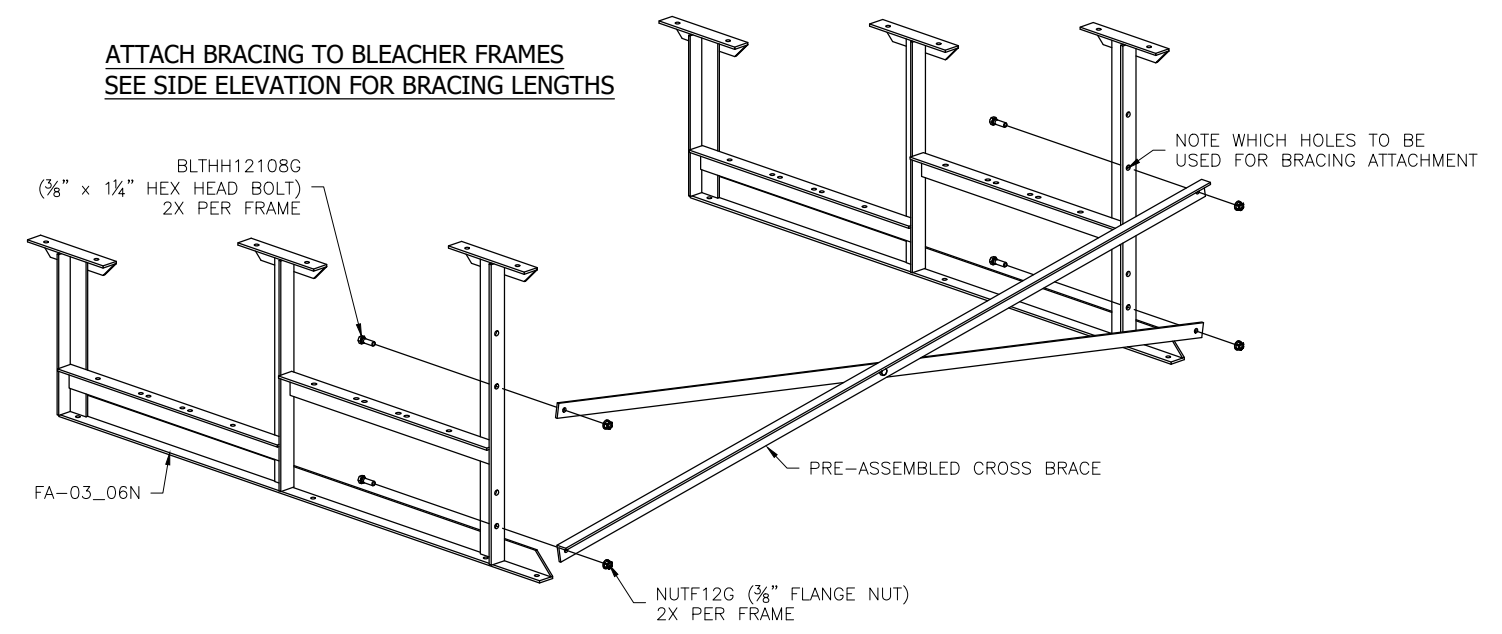
NOT TO SCALE

2 TYP 2x10 PLANK ATTACHMENT

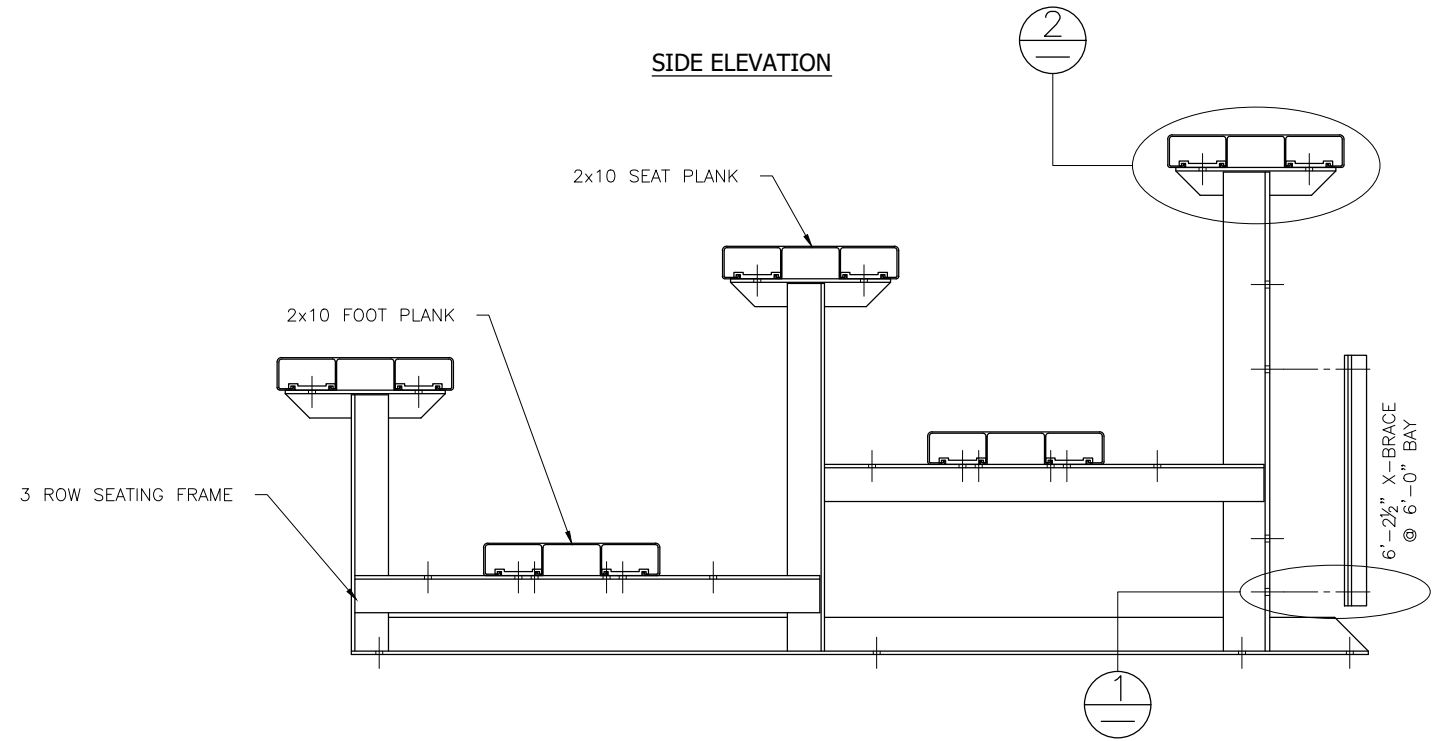


NOT TO SCALE

ATTACH BRACING TO BLEACHER FRAMES  
SEE SIDE ELEVATION FOR BRACING LENGTHS



SIDE ELEVATION

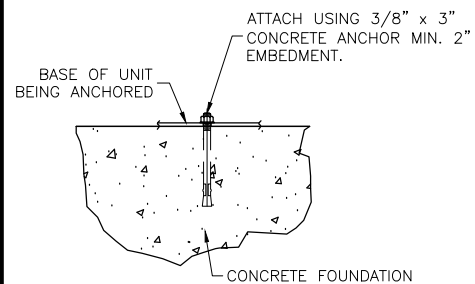


627 Amersale Drive  
Naperville, IL 60563  
Phone: (800) 323-5664  
Fax: (630) 897-0573  
sales@belson.com

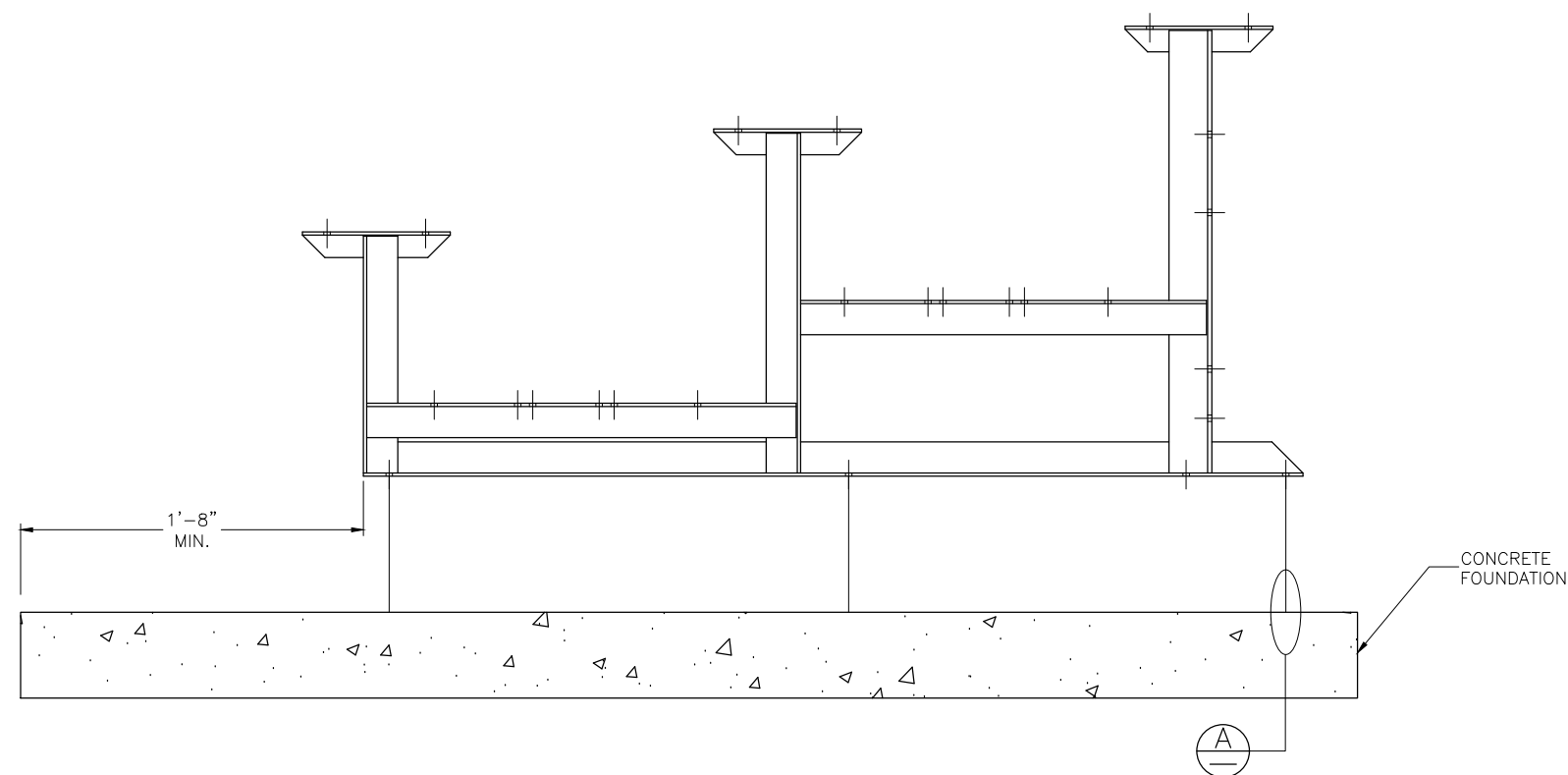
This drawing and all information contained herein is the property of BELSON, and is not to be reproduced without the express written permission of this manufacturer. We assume no responsibility for unauthorized use of this drawing. BELSON is not responsible for local permits and occupancy requirements.

MODEL:	BS-0321				
DESCRIPTION:	NON-ELEV. 3 ROW x 21' BLEACHER ASSEMBLY				
DRAWN BY:	IP	DATE:	5/24/22	REVISION:	A
SCALE:	N.T.S.	SHEET NUMBER:	5.BA		

Ⓐ WEDGE ANCHOR DETAIL - 3"



(OPTIONAL) ANCHOR BLEACHER TO CONCRETE FOUNDATION \*



\* CONCRETE WEDGE ANCHORS NOT INCLUDED WITH ALL UNITS. IF USING OTHER ANCHORING SYSTEM, SKIP THIS STEP AND REFER TO INSTRUCTIONS SPECIFIC TO THE ANCHORING SYSTEM PURCHASED FOR YOUR UNIT.

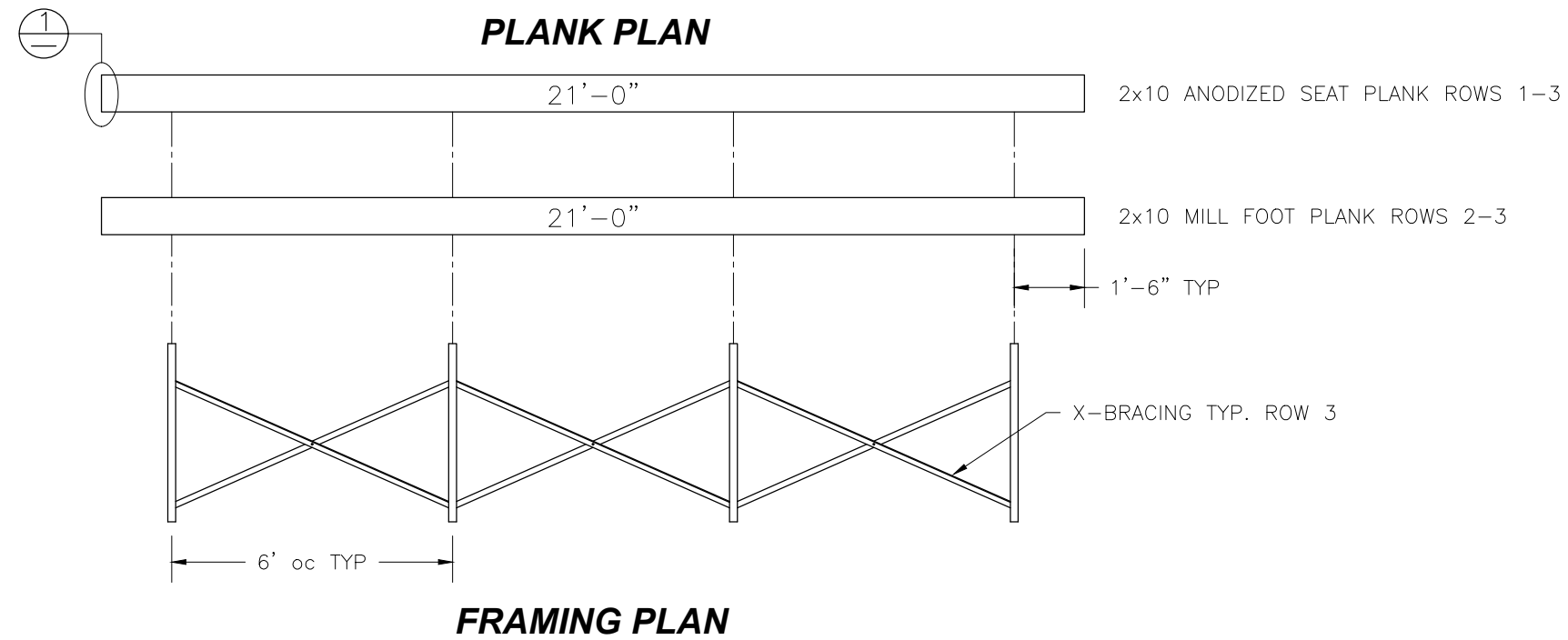
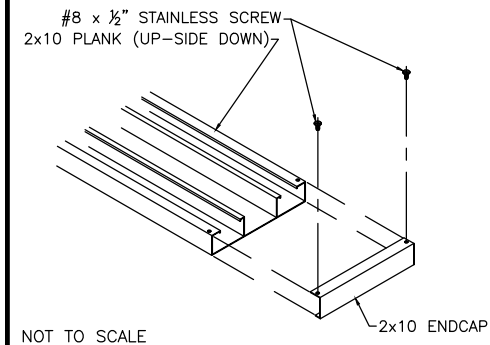


627 Amersale Drive  
Naperville, IL 60563  
Phone: (800) 323-5664  
Fax: (630) 897-0573  
sales@belson.com

This drawing and all information contained herein is the property of BELSON, and is not to be reproduced without the express written permission of this manufacturer. We assume no responsibility for unauthorized use of this drawing. BELSON is not responsible for local permits and occupancy requirements.

MODEL: BS-0321	
DESCRIPTION: NON-ELEV. 3 ROW x 21' BLEACHER ANCHORING PLAN	
DRAWN BY: IP	DATE: 5/24/22
REVISION: A	SCALE: N.T.S.
SHEET NUMBER: 6.AP	

⊕ TYP 2x10 ENDCAP ATTACHMENT



627 Amersale Drive  
Naperville, IL 60563  
Phone: (800) 323-5664  
Fax: (630) 897-0573  
sales@belson.com

This drawing and all information contained herein is the property of BELSON, and is not to be reproduced without the express written permission of this manufacturer. We assume no responsibility for unauthorized use of this drawing. BELSON is not responsible for local permits and occupancy requirements.

MODEL: BS-0321	
DESCRIPTION: NON-ELEV. 3 ROW x 21' PLANK AND FRAMING PLAN	
DRAWN BY: IP	DATE: 5/24/22
REVISION: A	SCALE: N.T.S.
SHEET NUMBER: 7.PF	