

BS-R0276

TIP & ROLL ALUMINUM 2 ROW x 7'-6" BLEACHER

DRAWING REFERENCE NUMBER:
TR-0207.5STD

DRAWING SHEET INDEX

CS.1	COVER SHEET
TD.1	SEATING PLAN
BA.1	BLEACHER ASSEMBLY
PF.1	PLANK AND FRAMING

RECOMMENDED TOOLS

SOCKET WRENCH	POP RIVET GUN	CORDLESS DRILL
½" DEEP WELL SOCKET	LEVEL	⅝" DRILL BIT
¾" DEEP WELL SOCKET	RUBBER Mallet	⅞" DRILL BIT
TAPE MEASURE	GLOVES	SAFETY GLASSES



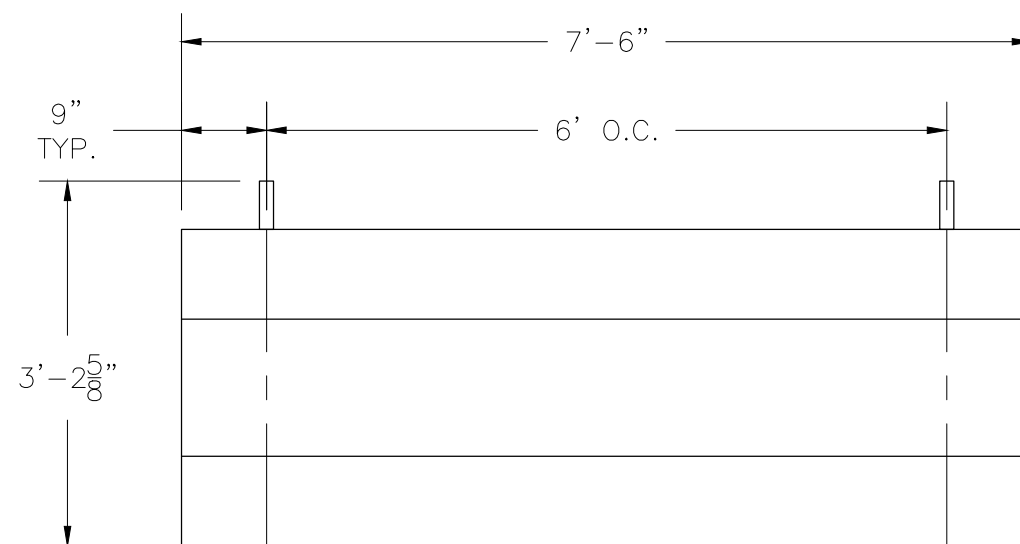
627 Amersale Drive
Naperville, IL 60563
Phone: (800) 323-5664
Fax: (630) 897-0573
sales@belson.com

This drawing and all information contained herein is the property of BELSON, and is not to be reproduced without the express written permission of this manufacturer. We assume no responsibility for unauthorized use of this drawing. BELSON is not responsible for local permits and occupancy requirements.

MODEL: BS-R0276

DESCRIPTION: NON ELEV. 2 ROW x 7'-6" ASSEMBLY COVER SHEET

DRAWN BY: IP DATE: 5/31/22 REVISION: A SCALE: N.T.S. SHEET NUMBER: CS.1



SECTION LENGTH	GROSS SEATS	ACTUAL SEATS	NO. OF ROWS	NET SEATS
7.5	5.00	5.00	2	10
NET SEATS				10
WHEELCHAIR SPACES				0
TOTAL NET SEATING CAPACITY				10
(BASED ON 18" PER SEAT)				

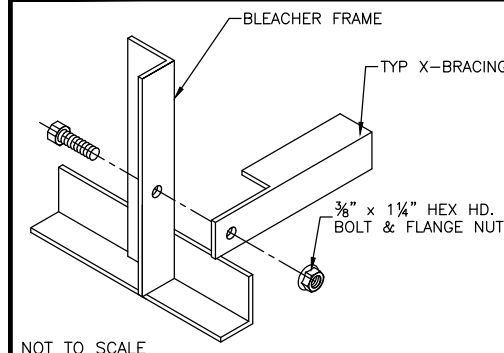


627 Amersale Drive
 Naperville, IL 60563
 Phone: (800) 323-5664
 Fax: (630) 897-0573
 sales@belson.com

This drawing and all information contained herein is the property of BELSON, and is not to be reproduced without the express written permission of this manufacturer. We assume no responsibility for unauthorized use of this drawing. BELSON is not responsible for local permits and occupancy requirements.

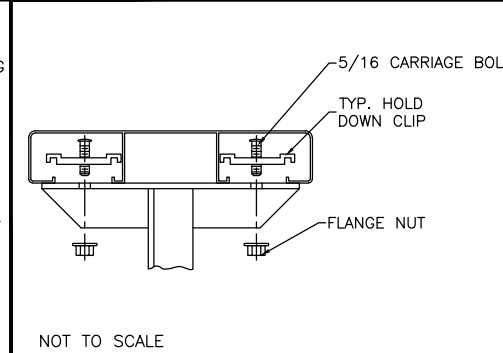
MODEL:	BS-R0276				
DESCRIPTION:	NON ELEV. 2 ROW x 7'-6" BLEACHER SEATING PLAN				
DRAWN BY:	IP	DATE:	5/31/22	REVISION:	A
SCALE:	N.T.S.	SHEET NUMBER:	TD.1		

1 TYP X-BRACE CONN. W/ 1/4 BOLT



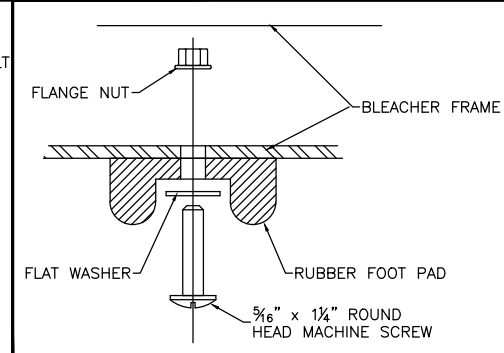
NOT TO SCALE

2 TYP 2x10 PLANK ATTACHMENT

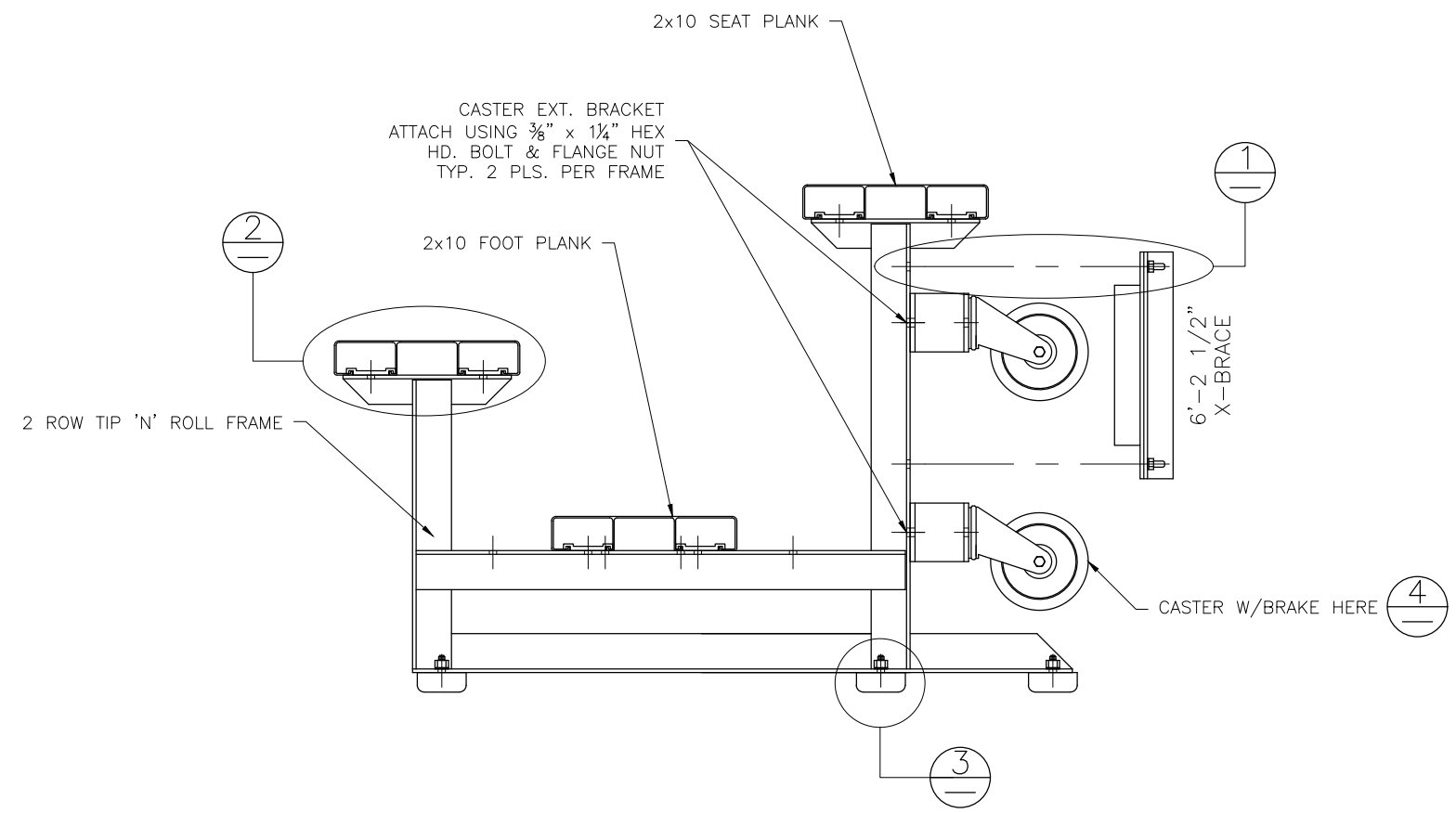
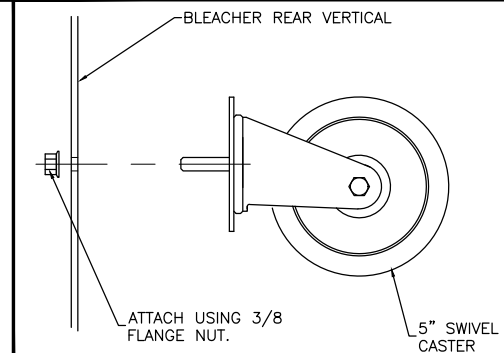


NOT TO SCALE

3 RUBBER FOOT PAD ATTACH. DETAIL



4 CASTER ATTACHMENT DETAIL



NOTE: MOUNT CASTERS TO END FRAMES ONLY.

WARNING

TIP 'N' ROLL BLEACHERS ARE SUITABLE FOR INDOOR OR OUTDOOR USE. HOWEVER, THEY SHOULD ONLY BE TIPPED UP ON THE CASTERS INDOORS, DUE TO POTENTIAL WIND HAZARDS IF TIPPED UP OUTDOORS. THESE LIGHT-WEIGHT UNITS ARE EASILY TIPPED UP BY ANY ABLE-BODIED ADULT.

BELSON
OUTDOORS

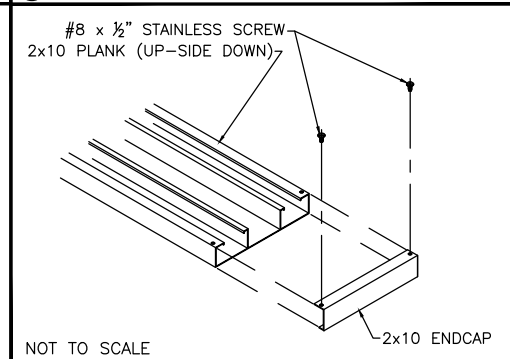
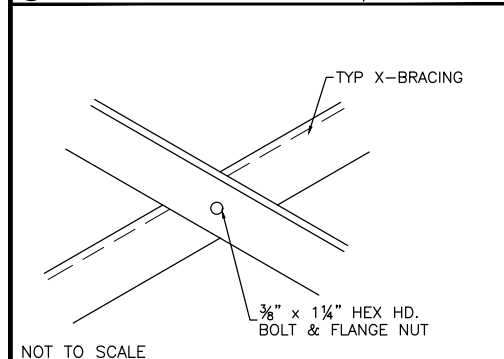
627 Amersale Drive
Naperville, IL 60563
Phone: (800) 323-5664
Fax: (630) 897-0573
sales@belson.com

This drawing and all information contained herein is the property of BELSON. and is not to be reproduced without the express written permission of this manufacturer. We assume no responsibility for unauthorized use of this drawing. BELSON. is not responsible for local permits and occupancy requirements.

MODEL: BS-R0276	
DESCRIPTION: NON ELEV. 2 ROW x 7'-6" BLEACHER ASSEMBLY	
DRAWN BY: IP	DATE: 5/31/22
REVISION: A	SCALE: N.T.S.
SHEET NUMBER: BA.1	

1 TYP X-BRACE CONN. W/ 1 1/4 BOLT

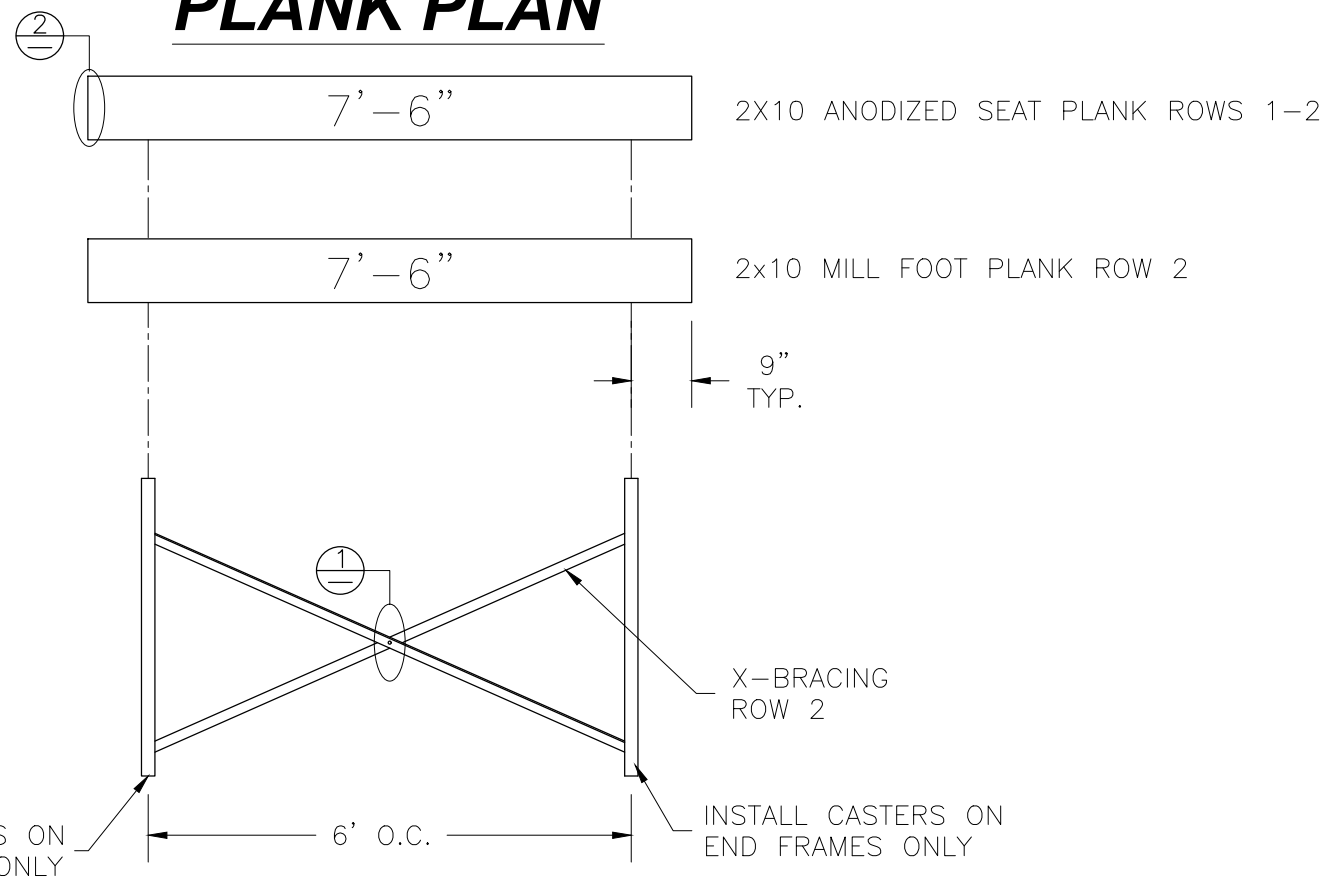
2 TYP 2x10 ENDCAP ATTACHMENT



NOT TO SCALE

NOT TO SCALE

PLANK PLAN



FRAMING PLAN

INSTALL CASTERS ON END FRAMES ONLY



627 Amersale Drive
Naperville, IL 60563
Phone: (800) 323-5664
Fax: (630) 897-0573
sales@belson.com

This drawing and all information contained herein is the property of BELSON, and is not to be reproduced without the express written permission of this manufacturer. We assume no responsibility for unauthorized use of this drawing. BELSON is not responsible for local permits and occupancy requirements.

MODEL: BS-R0276	
DESCRIPTION: NON ELEV. 2 ROW x 7'-6" PLANK AND FRAMING PLAN	
DRAWN BY: IP	DATE: 5/31/22
REVISION: A	SCALE: N.T.S.
SHEET NUMBER: PF.1	