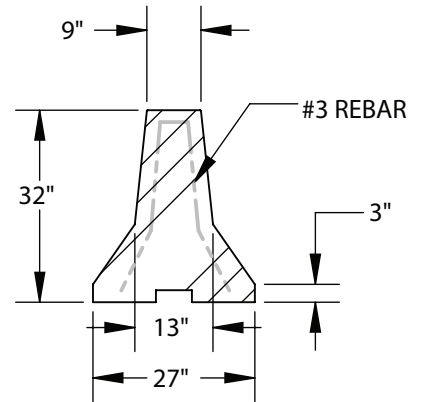
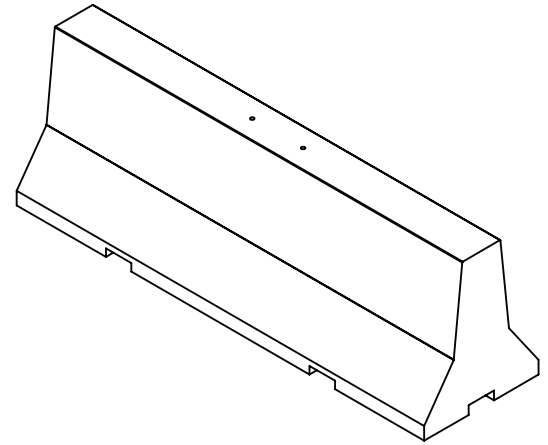
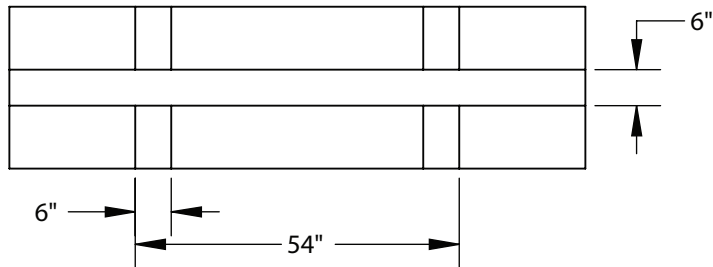
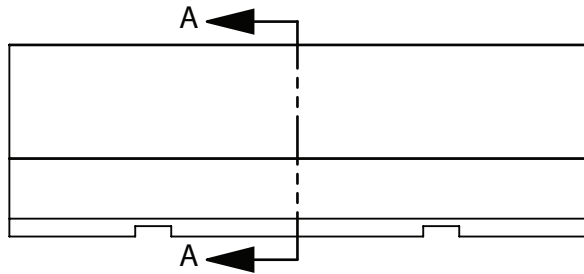
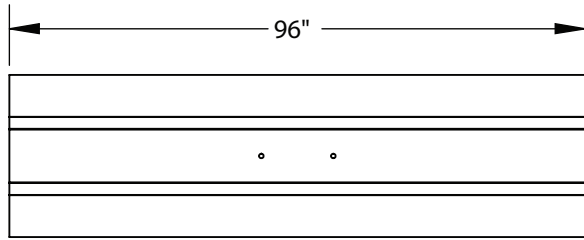


PRECAST CONCRETE JERSEY BARRIER



SECTION A-A