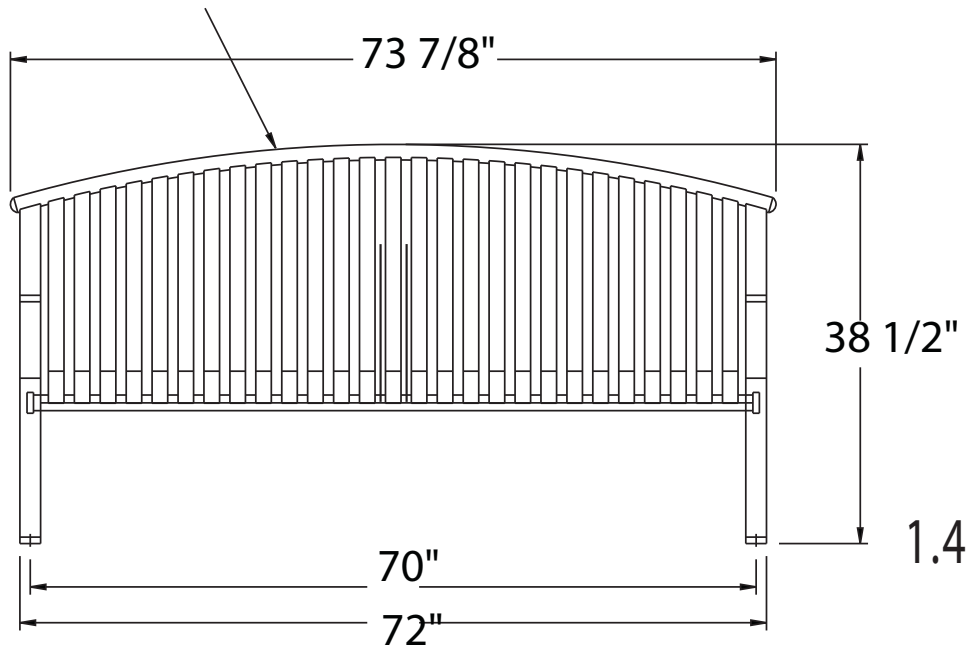
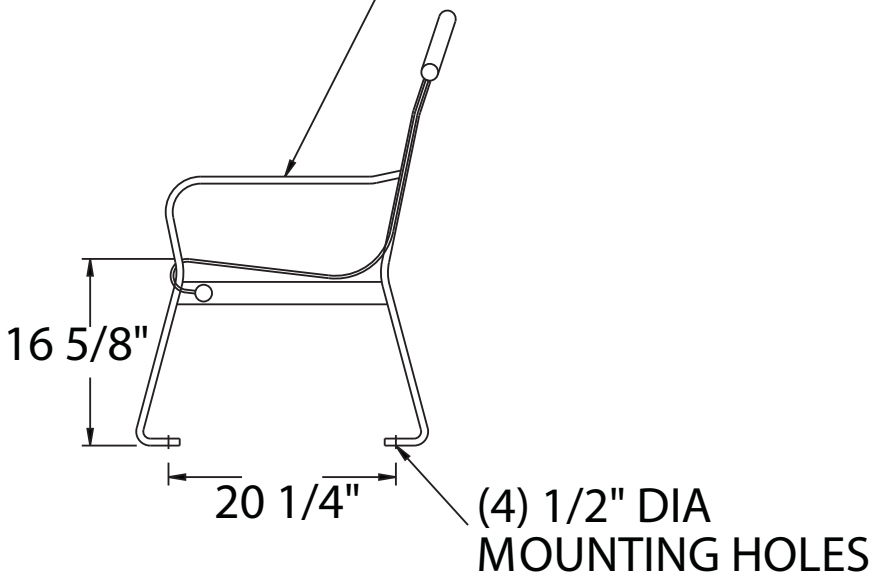


Metal-ArmorSM Coated Steel Park Bench w/ Center Arm

FORMED BENCH



END FRAME



ANCHOR DETAIL

To install Rawl-Bolt™ one piece heavy duty anchors, follow simple instructions below:

1. With fixtures in place, drill hole of same nominal diameter as the Rawl-Bolt™.
2. Remove tag from assembled anchor. Insert anchor through hole in fixture.
3. Tap Rawl-Bolt™ into hole until washer and bolt head are seated against fixture.
4. Tighten with wrench.

