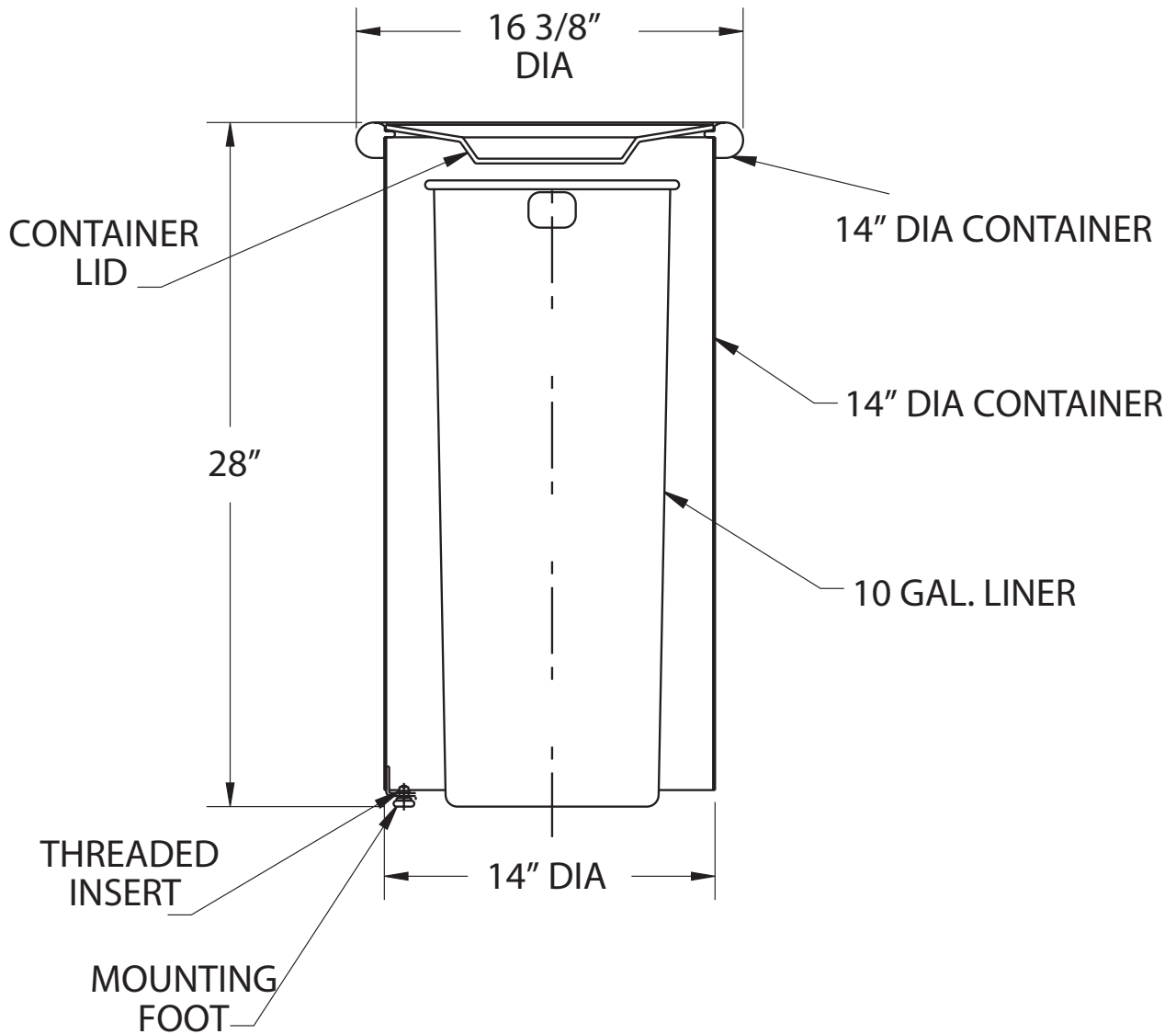


**Metal-ArmorSM 14"D x 28"H 10 Gallon Waste Container**



- |                    |   |
|--------------------|---|
| Size:              | 14" dia. x 28" tall - nominal   |
| Weight:            | Total shipping weight each= 30 lbs.   |
| Capacity:          | 10 Gallons  |
| Construction:      | Panel - 14 gauge perforated steel - Metal-Armor coated<br>Top - Cast aluminum - Powder coated<br>Liner - Polyethelene plastic<br>Top positioning ring - EPDM rubber |
| Standard Features: | 10 Gallon Polyethelene liner<br>Stainless steel security cable - attaches top to container<br>Elevator feet<br>Permanent anchoring capability                       |