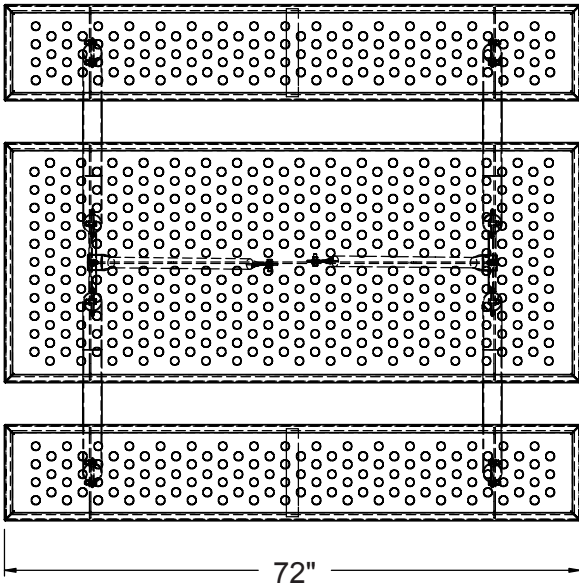
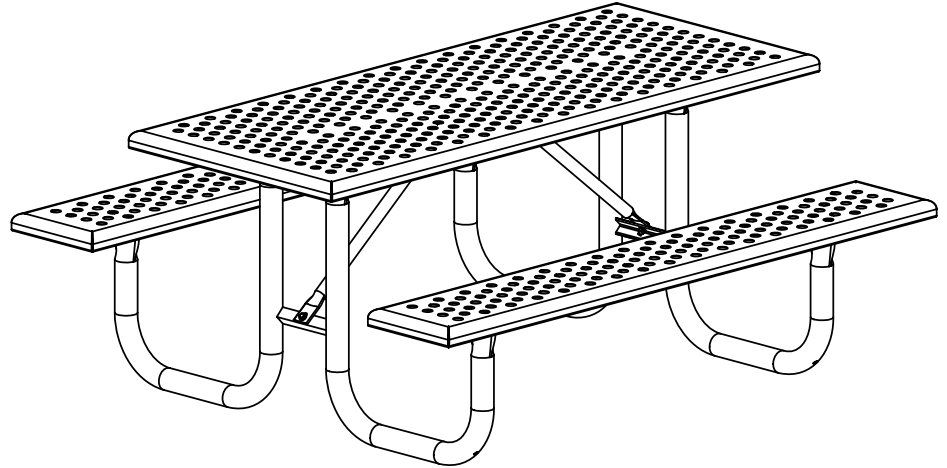


Model # PTH-6PS

Dimension Sheet

RECTANGULAR PORTABLE PICNIC TABLE



MATERIALS:

Tops and Seats: 13 GA HR
Legs: 2-3/8" x .095" ILG Tubing
Brace: 1.315" Dia. x .083" ILG Tubing
Brackets: 7 GA Steel Brackets

