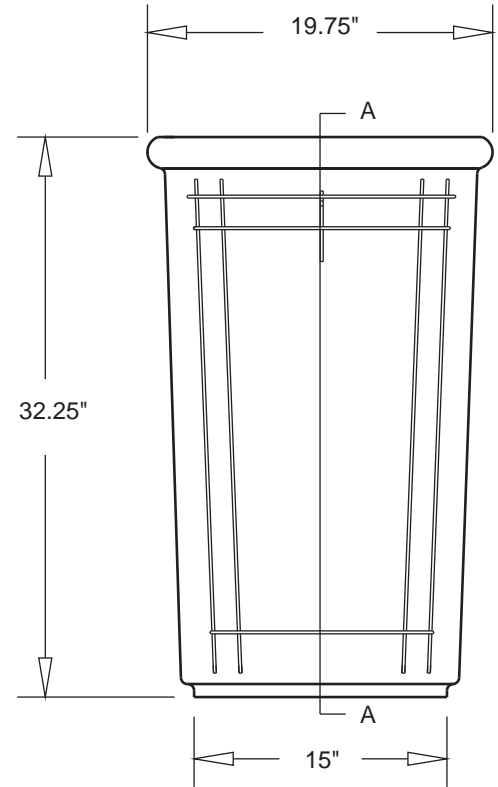
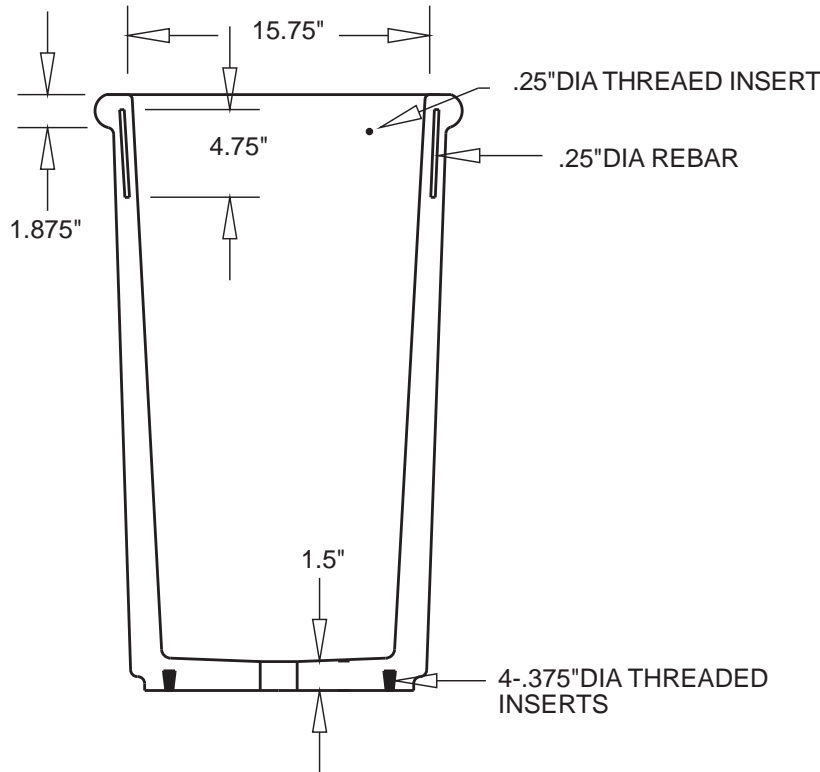
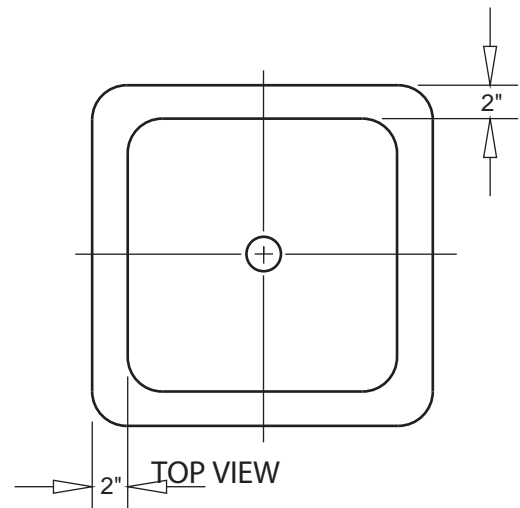


Concrete Waste Containers | Commercial Garbage Can

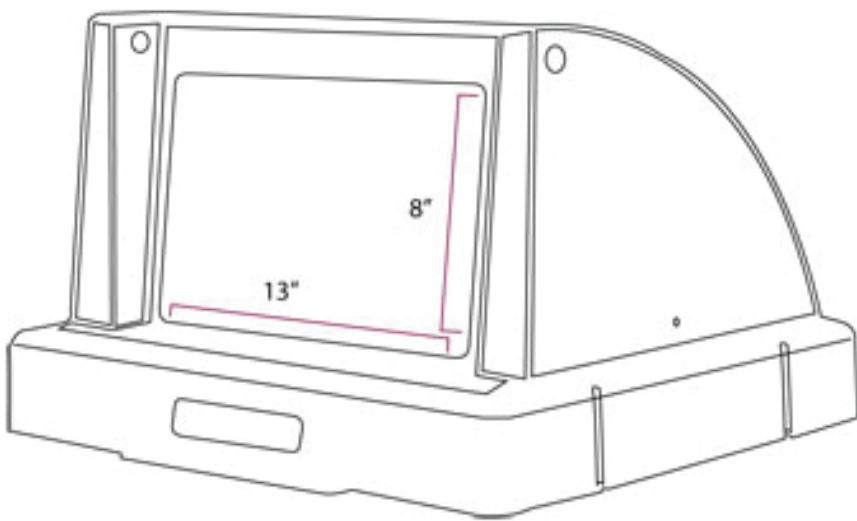
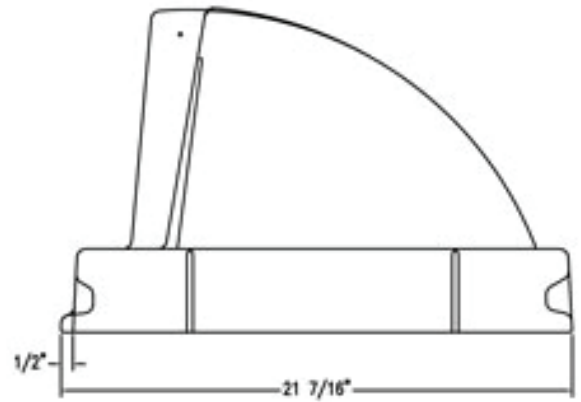
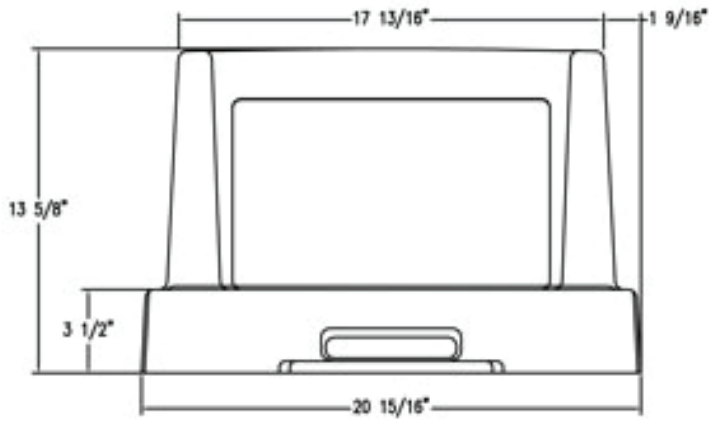


FRONT VIEW

- Size: 20-1/2" Sq. x 43" H
- Weight: 280 lbs
- Capacity: 30 gallons without liner
24 gallons with liner
- Material: Reinforced Concrete
- Wall Thickness: 2" at top with 2% pitch
- Hardware: (4) - 3/8" Dia. elevator bolts, inserted on site
(4) - 3/8" Dia. inserts
(1) - 1/4" Dia. insert
- Packaging: Palletized
- Maintenance: Occasionally rinse with water & mild detergent
Re-seal annually
- Anchoring: Optional
- Logo Options: 12" Dia. x 1/4" Clear Lucite silk-screened with permanent inks. Installed with two tamper-proof screws.



TOP VIEW



Push Door Top

- Size: 20-1/2" Sq. x 13"H
- Weight: 7 lbs
- Material: Polyethylene Plastic
- Colors: Brown, Gray, Red, Bronze, Red, Blue, Green
- Hardware: (1) - Security Cable
(1) - 1024 Hex head bolt
(1) - Shouldered screw
(1) - 1024 Washer
(1) - Shouldered allen bolt
- Door Opening: 13" x 8"
- Packaging: Shipped in carton
- Maintenance: Clean with mild soap and water
- Features: Made of recyclable plastic
- Installation: Attach to container with security cable.

TF 1610 Liner (Optional)

- Size: 14-7/8" Sq. x 29-7/8" H
- Weight: 10 lbs
- Capacity: 24 gallons
- Material: Recycled Polyethylene Plastic
- Color: Black

Small Retainer Ring (Standard)

- Size: 18-1/2" Sq. Weight: 1 lb
- Material: Zinc plated steel
- Features: Designed to hold "skirts" of liner in container out of view
- Installation: Place polybag in container with edges draped over sides. Set ring on container rim, fold bag over ring into container