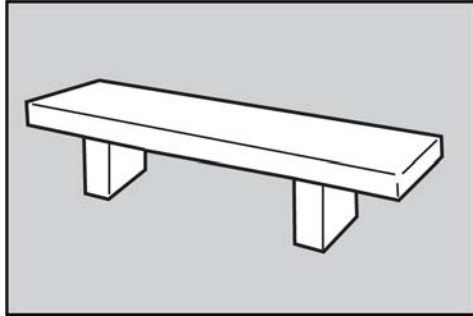


Model # TF5029

Dimension Sheet

Classic Precast Concrete Park Bench



Size: 72"L x 20"W x 18"H
 Weight: 940 lbs.
 Material: Reinforced Concrete.
 Reinforcing: 1/2" & 3/8" Dia. steel rebar.
 Hardware: (4) - 1/2" Dia. threaded inserts.
 Anchoring: Optional.
 Maintenance: Rinse periodically with water & mild detergent. Re-seal annually.
 Packaging: Banded to pallet.

Options:

Note: Options may change without notice.
 Call to confirm current options.

Weatherstone Finish:

Gray – French Gray – Sand – Buff – Cream – Brown – Brick Red –
 Charcoal – Soulard Green

Smooth Stained Finish:

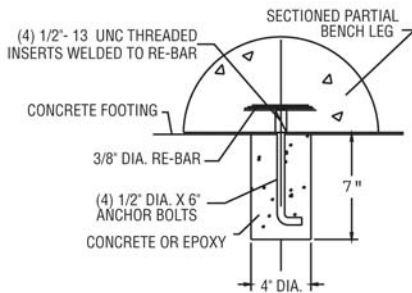
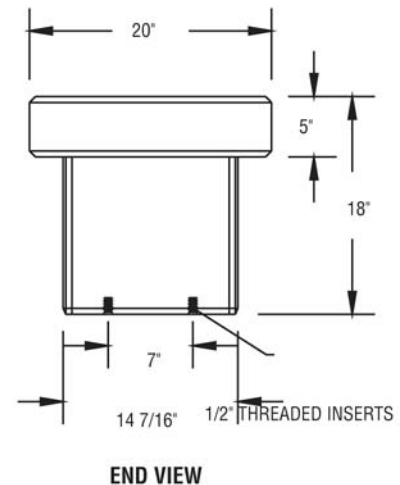
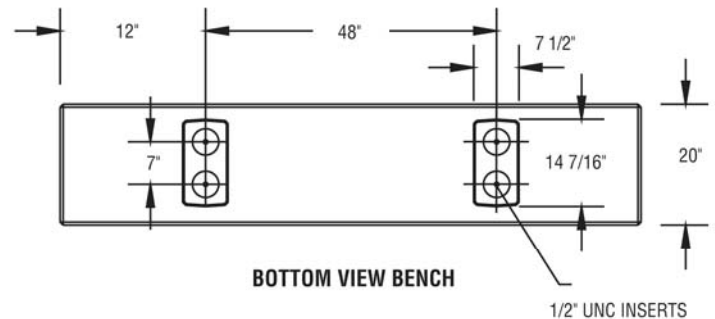
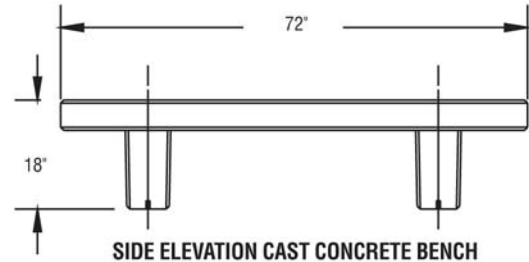
Gray – Sand – Yellow – Orange – Red - Brown – Brick Red – Charcoal –
 Soulard Green

Ground Glass Concrete

Finish:
 Exposed Aggregate
 Weather Stone

Matrix:
 Charcoal – Sand – Gray - White

Glass:
 Clear - Emerald - Blue - Amber
 Champaign – Charcoal



SECTIONED ANCHORING SYSTEM DETAIL