

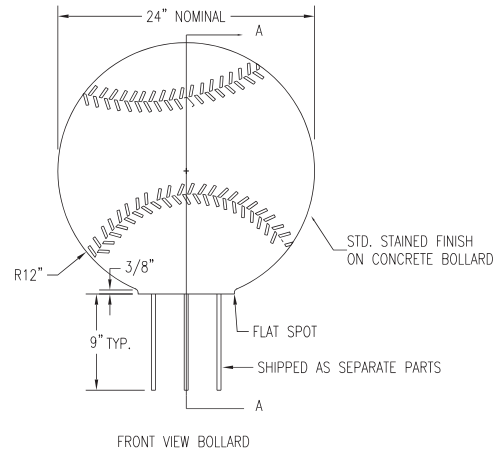
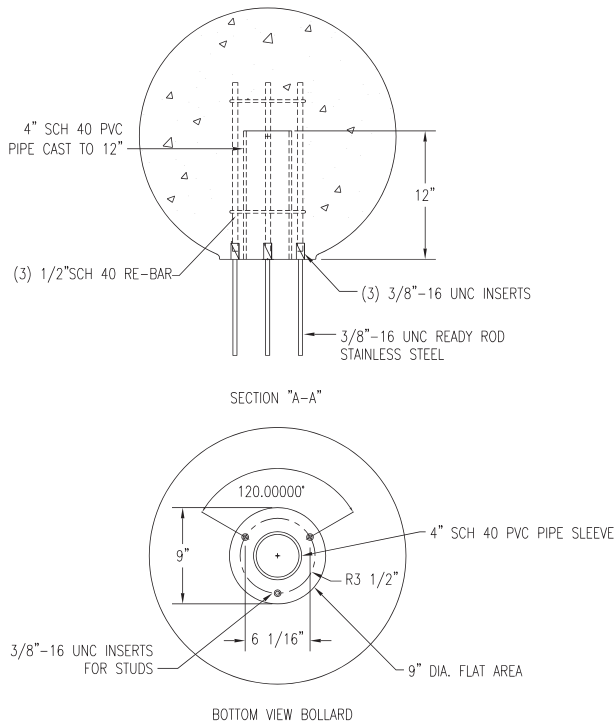
**Model # TF6202**

**Instructions Sheet**

**Concrete Baseball Bollards**



- Size: 24" Dia.
- Weight: 750 lbs.
- Material: Reinforced Concrete.
- Reinforcing: 1/2" steel rebar.
- Anchoring: Cement 3-5/8" extension into predrilled hole.
- Maintenance: Rinse with water & mild detergent.  
Annual re-sealing recommended.
- Packaging: Banded to pallet.



**CAUTION:** UNLOAD SPHERE ONTO A PROTECTED SURFACE, FOAM, MAT OR ANY SOFT SURFACE TO KEEP DESIGN FROM DAMAGE.

**INSTALLATION OF SPHERE:**  
 PLACE FOUR LOOP SLINGS UNDER UP ON ALL FOUR LOOPS. PLACE IN PREPARED HOLE (SEE SPEC. FOR SIZE OF HOLES) FILLED WITH CEMENT, REMOVE LOOPS, LET CURE FOR THREE DAYS.

**2.2 MATERIALS**

- A. Portland Cement: ASTM C150 specifications for Portland Cement.
- B. Aggregates: All aggregates to meet ASTM C33 specifications, to be cleaned of foreign matter and properly graded to size.
- C. Coloring: Pigments used shall be inorganic, resistant to alkalinity and used as per manufacturers recommendations.