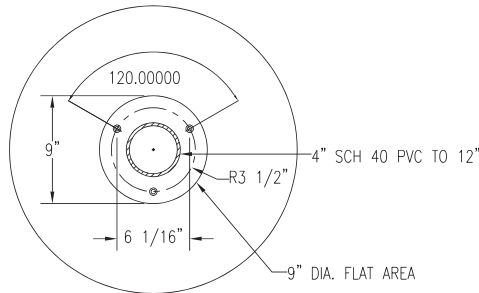


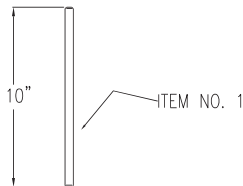
Soccer Ball Bollards | Concrete Sports Bollards



| | |
|--------------|--|
| Size: | 24" Dia. |
| Weight: | 750 lbs. |
| Material: | Reinforced Concrete. |
| Reinforcing: | (3) 1/2" Dia. steel rebar. |
| Hardware: | (3) 1/2" Dia. steel rebar. |
| Anchoring: | Cement 3-5/8" Stainless steel rod into predrilled hole. |
| Maintenance: | Rinse with water & mild detergent. Annual re-sealing recommended. |
| Packaging: | Banded to pallet. |

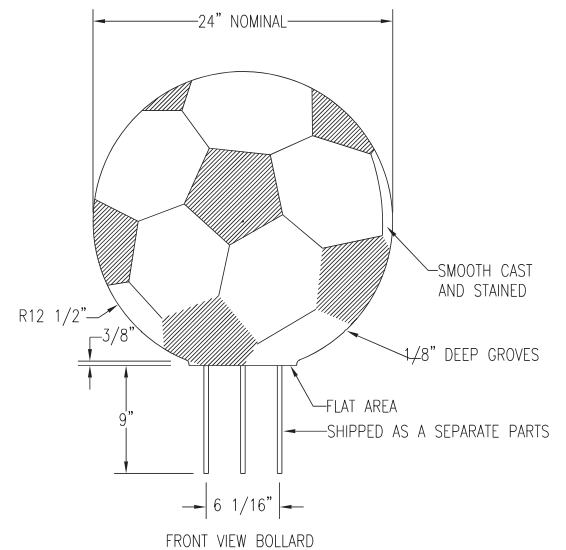


BOTTOM VIEW BOLLARD

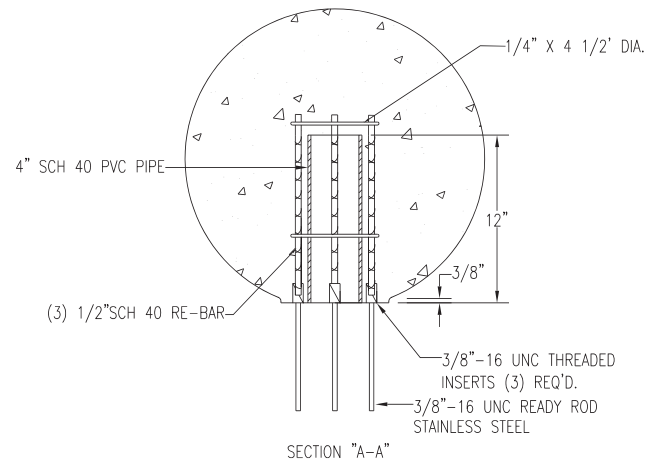


3/8"-16 S/S READY ROD SUPPLIED WITH EACH BOLLARD FOR ANCHOR (3) EACH THREE

CAUTION: UNLOAD SPHERE ONTO A PROTECTED SURFACE, FOAM, MAT OR ANY SOFT SURFACE TO KEEP DESIGN FROM DAMAGE.



FRONT VIEW BOLLARD



SECTION "A-A"

2.2 MATERIALS

- Portland Cement: ASTM C150 specifications for Portland Cement.
- Aggregates: All aggregates to meet ASTM C33 specifications, to be cleaned of foreign matter and properly graded to size.
- Coloring: Pigments used shall be inorganic, resistant to alkalinity and used as per manufacturers recommendations.