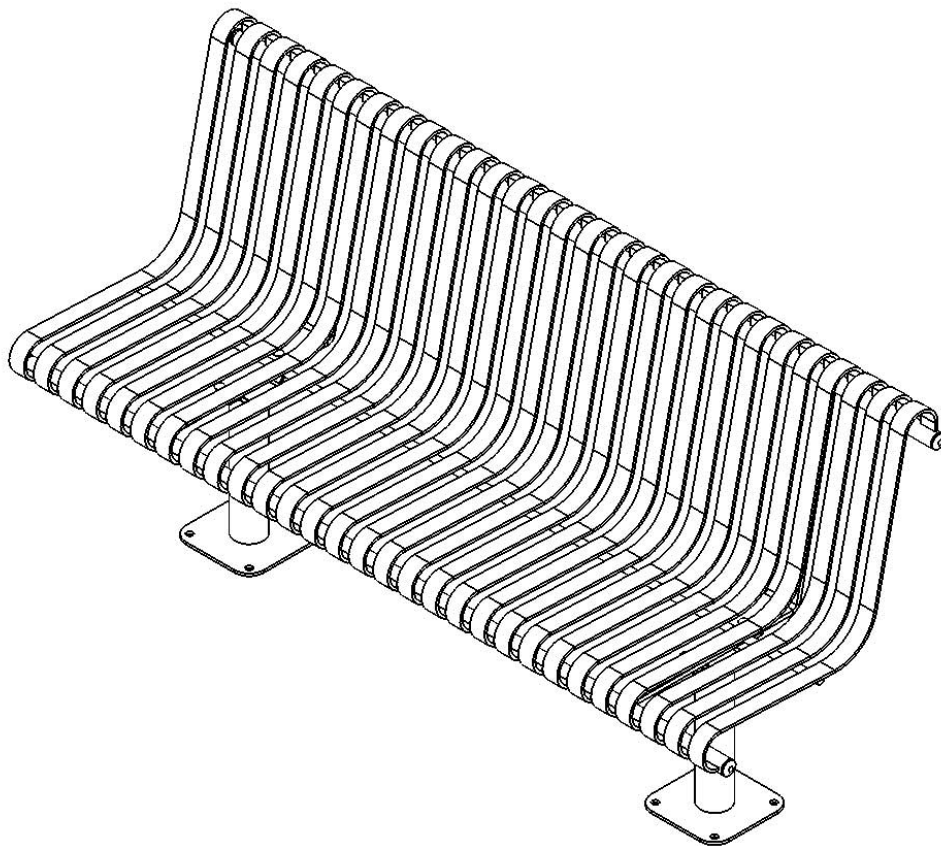


Model # 43SM-S6

Instruction Sheet

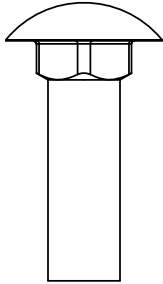
6' Kensington Bench With Back, Surface Mount



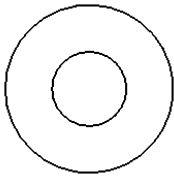
SAFETY WARNINGS & EQUIPMENT INSPECTION

- OWNERS AND INSTALLERS PLEASE NOTE THESE SAFETY WARNINGS AND MAKE USE OF THIS CHECKLIST ON A REGULAR BASIS.
- FOLLOW INSTALLATION INSTRUCTIONS WHEN ERECTING EQUIPMENT.
- GROUND SURFACES AROUND EQUIPMENT SHOULD BE RESTORED AS NEEDED. CONCRETE FOOTINGS SHOULD NEVER BE EXPOSED. SURFACE DEPTH SHOULD COMPLY WITH ASTM AND CPSC SPECIFICATIONS.
- CHECK FOR AND REPAIR DAMAGE CAUSED BY WEAR OR VANDALISM, A MAJOR FACTOR IN INJURY CAUSING SITUATIONS.
- ALL PROTRUDING BOLTS SHOULD BE COVERED OR CUT OFF AND FINISHED SMOOTH. SHARP EDGES ON PIPES SHOULD BE CAPPED OR REMOVED. CHECK FOR BENT, BROKEN, OR SEVERELY WORN PIPE, AND REPLACE.
- ALL EQUIPMENT SHOULD BE FREE OF RUST AND REPAINTED WHENEVER NECESSARY TO DETER RUSTING.
- WE PROVIDE OUR CUSTOMERS WITH LAYOUT SHEETS AND INSTALLATION INSTRUCTIONS. PLEASE KEEP ON FILE THE SPECIFICATIONS SHEET THAT CONTAINS THE LISTING OF EVERY PART USED.
- NEVER ADD COMPONENTS NOT INTENDED FOR USE WITH THIS PRODUCT.
- REGULAR MAINTENANCE IS NECESSARY IN THIS AND ALL PARK AND RECREATIONAL EQUIPMENT TO INSURE THE SAFETY OF THE USER.
- NOTE: PROPER MAINTENANCE OF EQUIPMENT REQUIRES REGULAR TIGHTENING OF ALL BOLTS, NUTS, AND SETSCREWS.
- NOTE: REGULAR CHECKING OF ALL PARTS, CASTINGS, ETC. SHOULD BE MADE. IF A PART IS BROKEN OR WORN, IT SHOULD BE REPLACED IMMEDIATELY.
- CHECK TO BE SURE ALL FITTINGS ARE TIGHT AND THAT BARS AND PIPES DO NOT MOVE.
- REPLACE ALL WORN S-HOOKS. S-HOOKS MUST BE COMPLETELY CLOSED. FAILURE TO CLOSE S-HOOKS CAN RESULT IN SERIOUS INJURY TO THE USER. NEVER REUSE S-HOOKS.
- TEST FOR FREE MOVEMENT OF SWING HANGER AND OTHER MOVING ATTACHED PARTS.
- CHECK FOR WORN CHAINS AND REPLACE THEM.
- A SOFT RESILIENT SURFACE SHOULD BE PLACED UNDER ALL SWINGS EXTENDING AT LEAST TWICE THE HEIGHT OF THE TOP RAIL BOTH FRONT AND BACK.

BEFORE ASSEMBLY, PLEASE MAKE SURE ALL FASTENERS ARE INCLUDED.



3/8" x 1-1/4"
Carriage Bolt

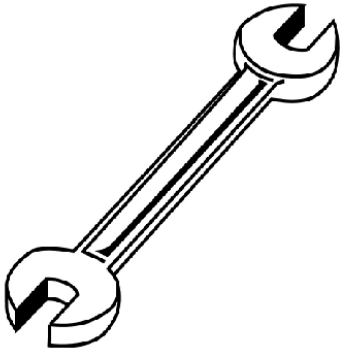


3/8" Washer

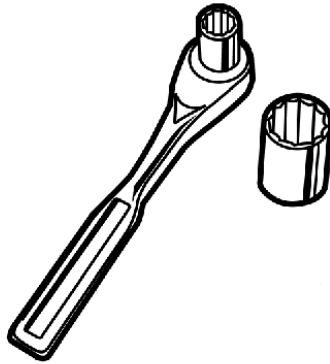


3/8" Kep Nut

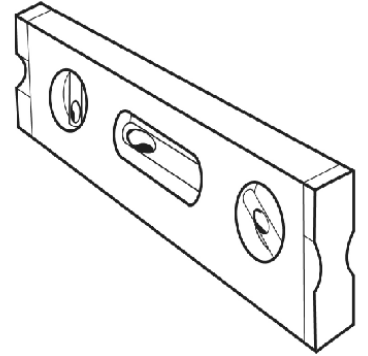
ALSO NEEDED FOR THIS ASSEMBLY WILL BE THE FOLLOWING MATERIALS:



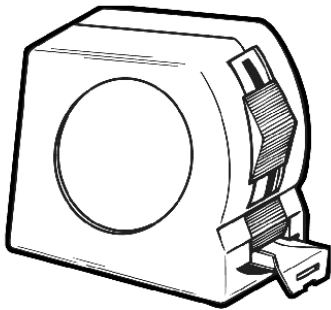
9/16" Wrench



9/16" Socket Wrench



Level



Tape Measure

PRODUCT SPECIFICATIONS

43SM-S6 KENSINGTON BENCH WITH BACK

Seats: Seats dimensions are 72-1/2" x 25" x 22". Slats are 1-1/2" x 1/4" flat steel strips precision formed. Seat attachment plates are made of 3" x 3/8" flat steel. Reinforced with 1-5/16" steel tube and 5/8" steel rod. Electrically MIG welded.

Frame: Legs are 2-7/8" x 12 Gauge steel tube. Seat Mounting Plates are made of 3" x 1/4" flat steel. Surface Mount Plates are 8" square x 1/4" thick flat steel plate. Electrically MIG welded.

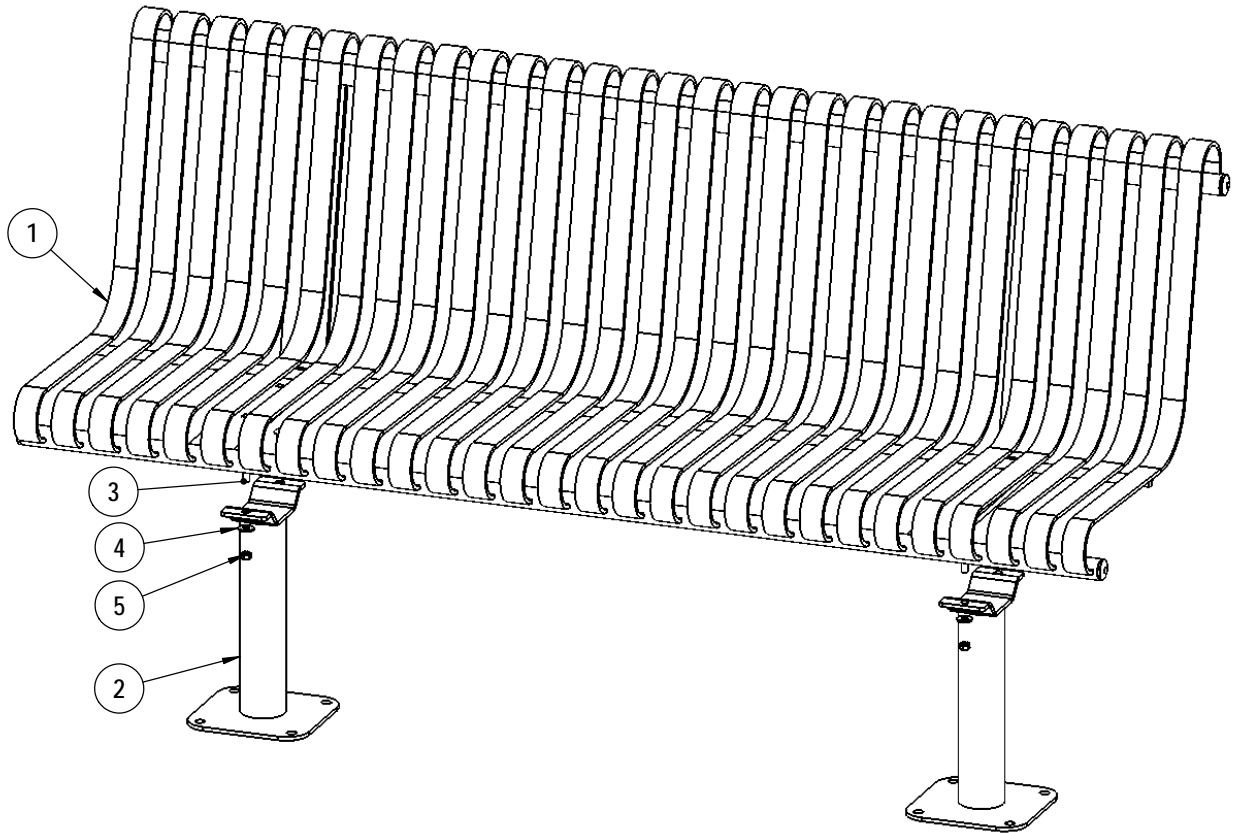
Seat & Frame Coating: Steel is sandblasted to near white condition. Coated with zinc rich epoxy primer and top coated with electrostatic powdercoat, oven cured.

Hardware: All stainless steel hardware fasteners.

Dimensions: 6' surface mount bench with back. Seats are 24-9/16" wide x 72-1/2" long. Seat height is 18-1/4" from the ground to the top of the seat. The overall dimensions are 72-1/2" x 24-9/16" x 36-1/4".

COMPONENTS

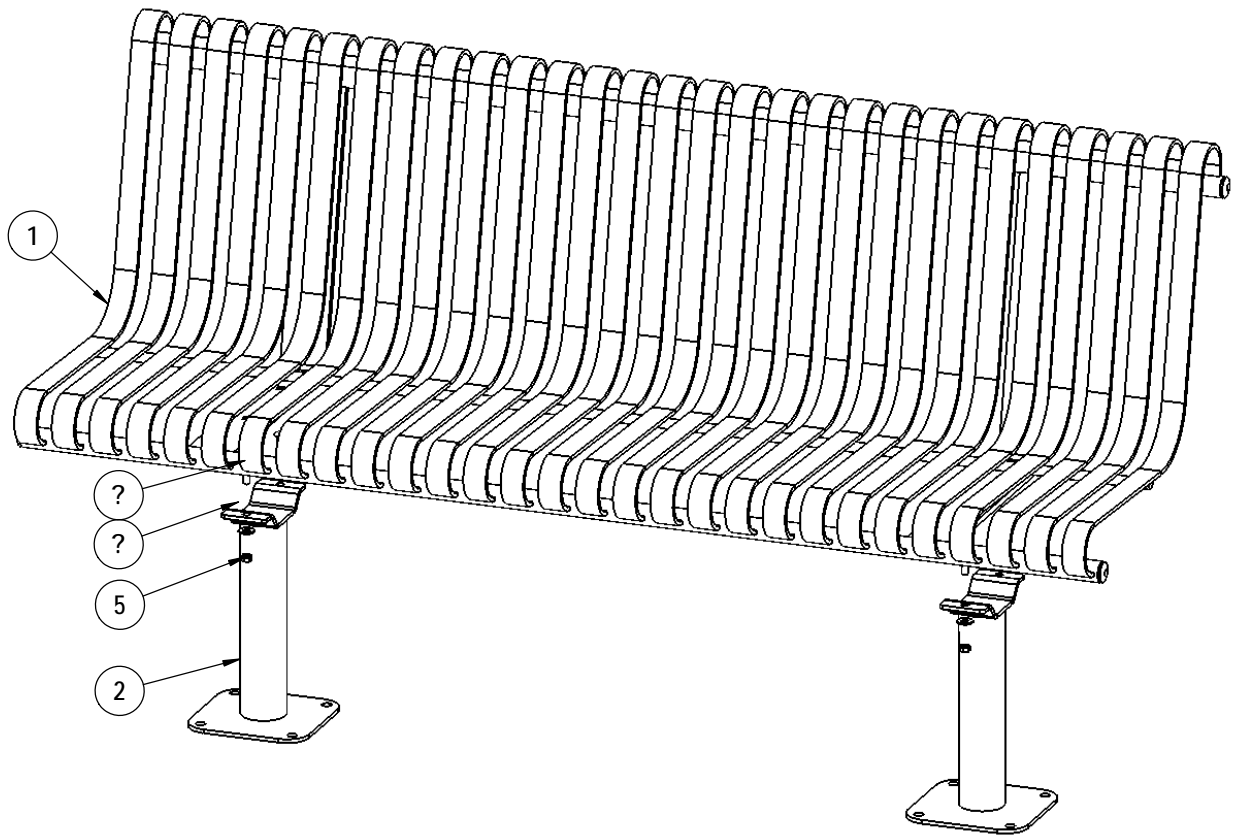
Recommended Surface Mount Hardware:
 3/8" x 3-1/2" Concrete Expansion Anchor Bolts
 (Not Included)



ITEM NO.	PartNo	DESCRIPTION	Qty.
1	01-01-0504	Kensington w/back Slat Seat 6'	1
2	01-01-0507	Kensington w/ back SM Leg	2
3	33-06-0062	3/8" x 1-1/4" Carriage Bolt (SS)	4
4	33-02-0008	3/8" Flat Washer (SS)	4
5	33-03-0013	3/8" Kep Nut (SS)	4

STEP 1

Attach the 6' Kensington Seat to the Kensington Legs using the specified hardware.



OVERALL DIMENSIONS

