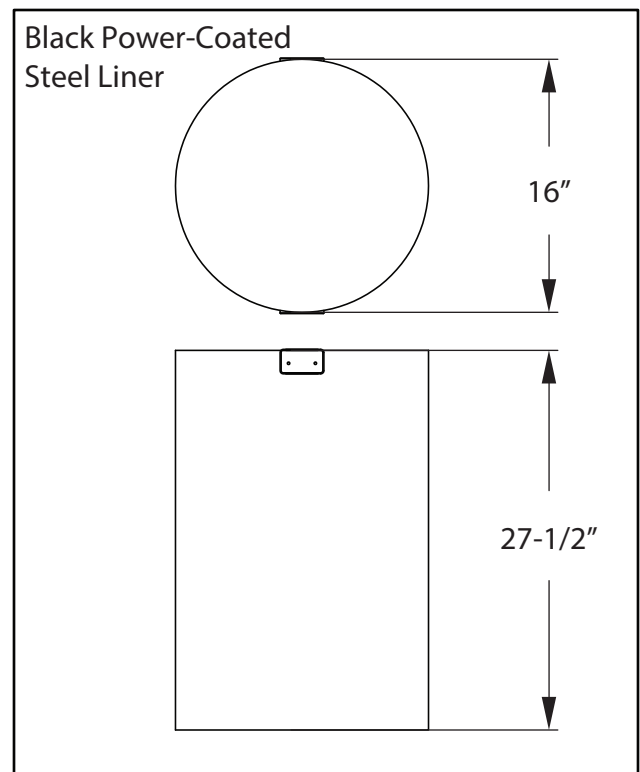
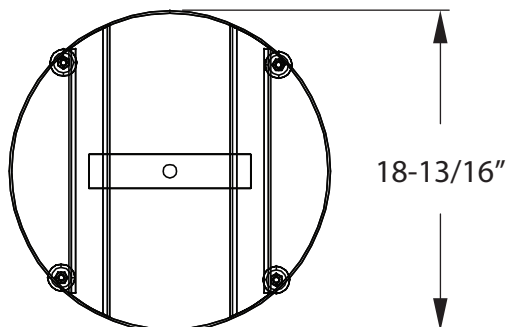
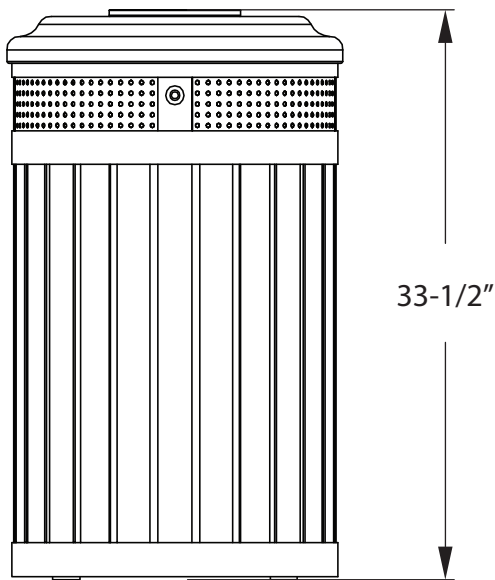
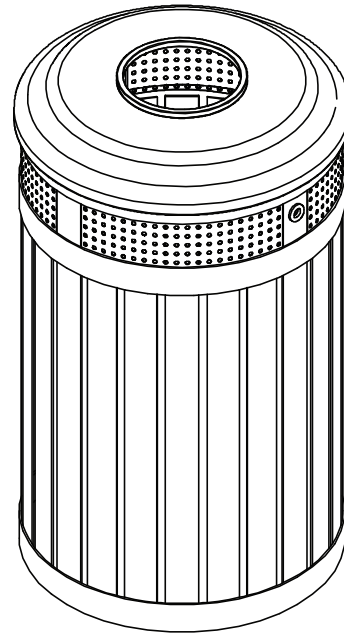
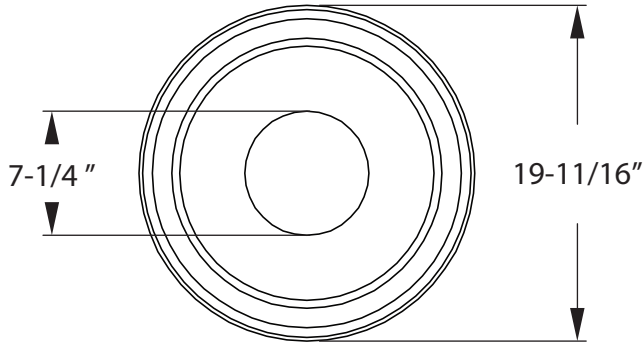
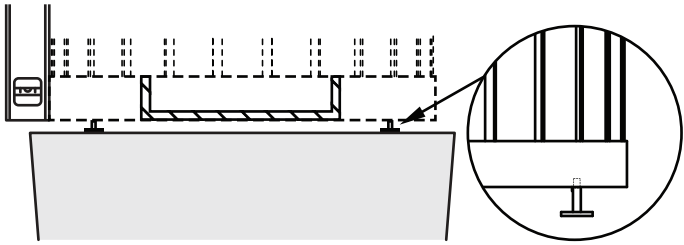


Hinged Top Trash Receptacle | 24 Gallon





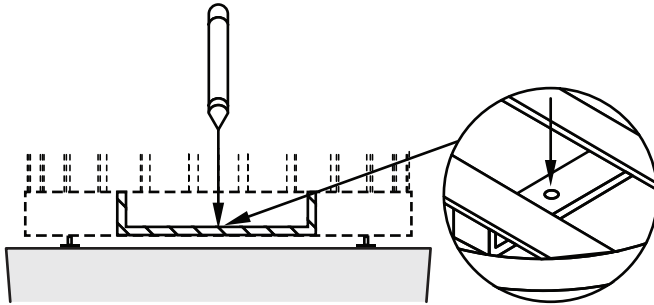
### **TOP TIP**

Utilize leveling legs on the bottom to level the receptacle for better stability.

## **INSTALLATION INSTRUCTIONS FOR SURFACE MOUNT**

### **Common Tools Needed**

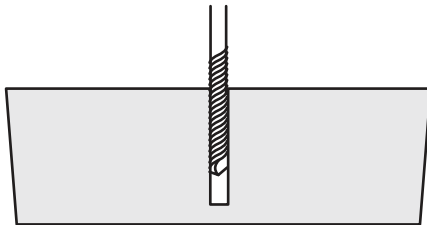
Tape Measure  
 Marker, Pencil, or Chalk  
 Masonry Drill Bit 3/16", 3/8", & 1/2"  
 Hammer Drill or Hammer



### **Step 1**

Choose your desired location for the receptacle.

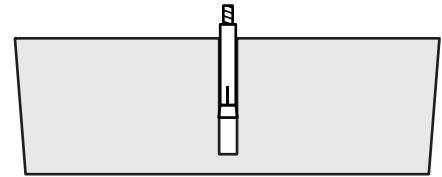
Then use chalk, marker, or pencil to mark center for the drill hole on the base material.



### **Step 2**

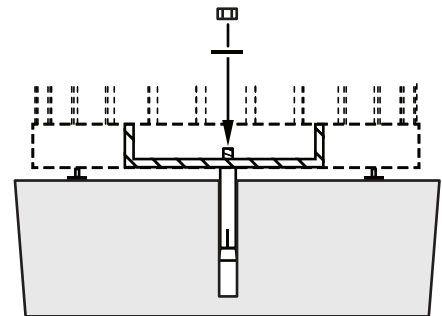
Create starter pilot holes, it will help prevent the drill from drifting.

Then drill hole that is to the depth of 1-7/8" and 1/2" in diameter.



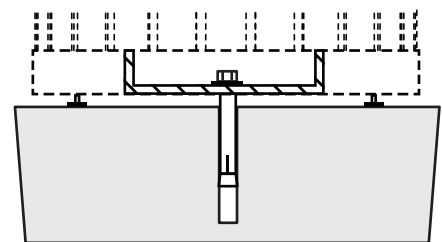
### **Step 3**

Insert the expand anchor bolt in to drill hole to proper depth. Remove washer and nut.



### **Step 4**

Position the receptacle and secure with washer and the expand anchor nut.



### **Step 5**

Completely tighten the expand anchor nut.