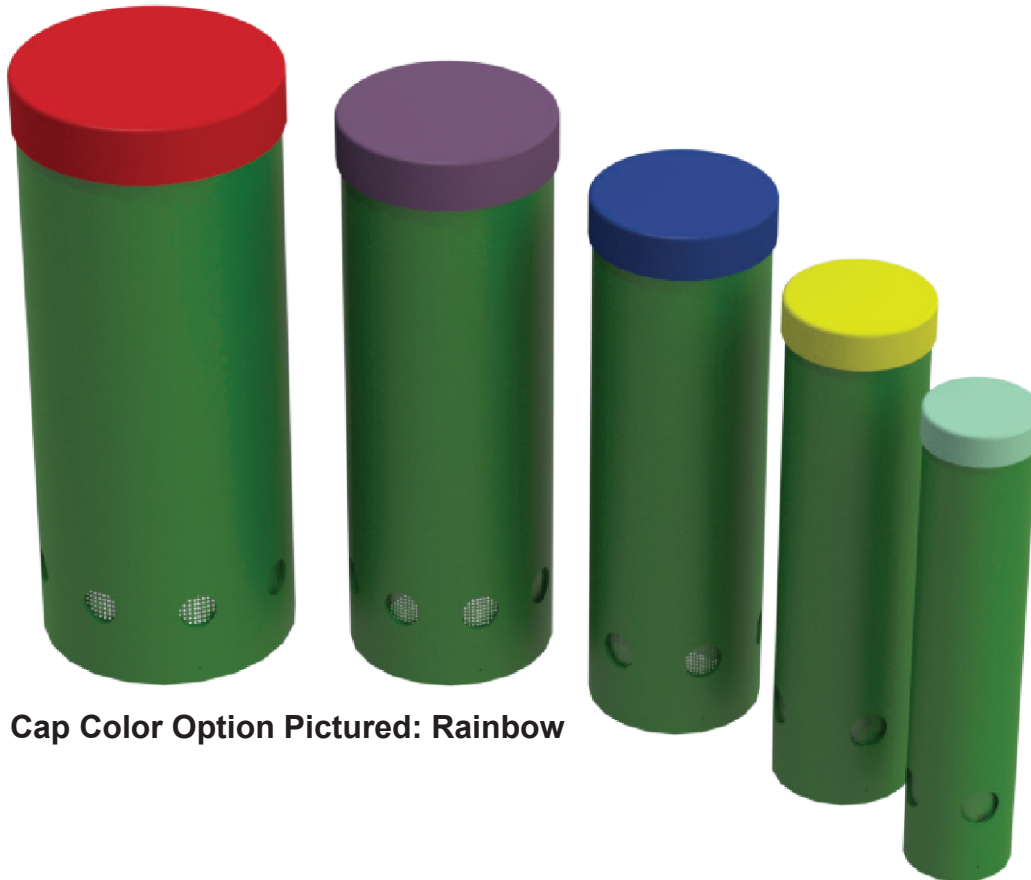
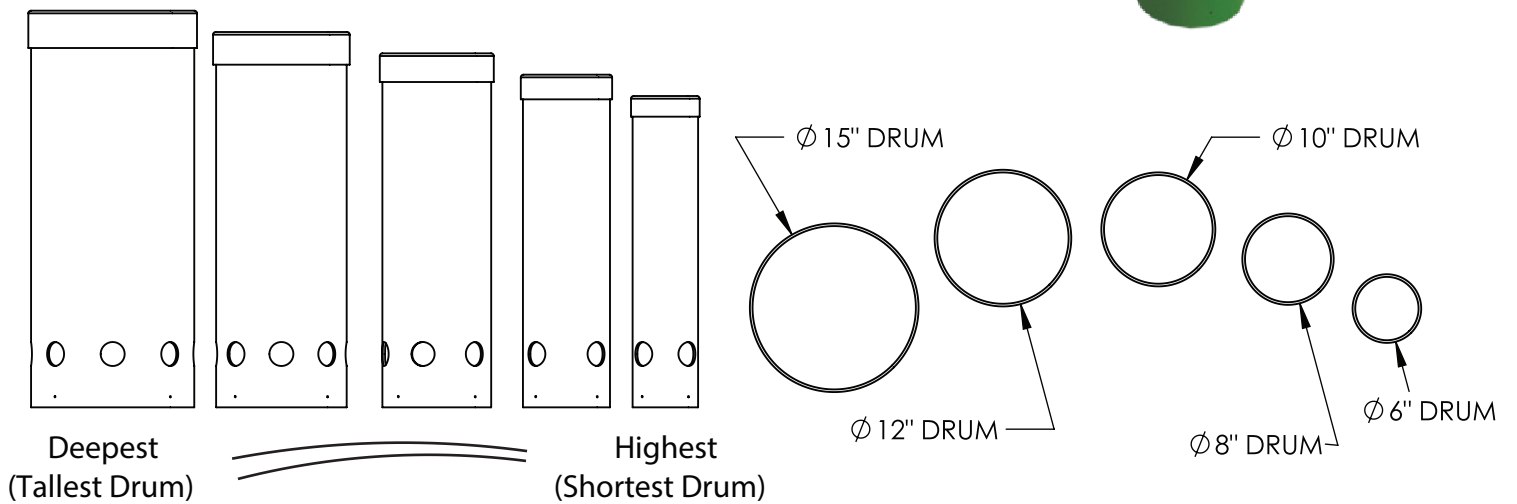


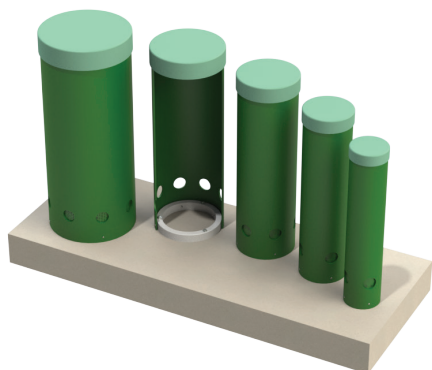
TUNED DRUMS



Cap Color Option Pictured: Rainbow



MOUNTING OPTIONS



Surface Mount

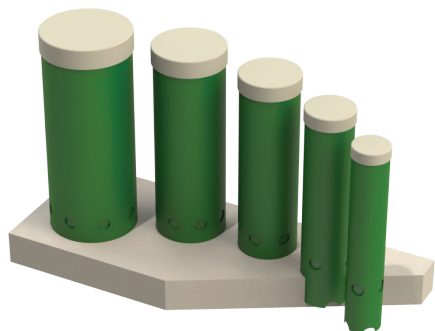
Parts:

- 15" dia. Tuned Drum (1)
- 12" dia. Tuned Drum (1)
- 10" dia. Tuned Drum (1)
- 8" dia. Tuned Drum (1)
- 6" dia. Tuned Drum (1)

Weights:

Boxed Instrument Weight Adult: 110 lbs.
Boxed Instrument Weight Toddler: 90 lbs.

Cap Color Option Pictured: Moss



In-Ground Mount

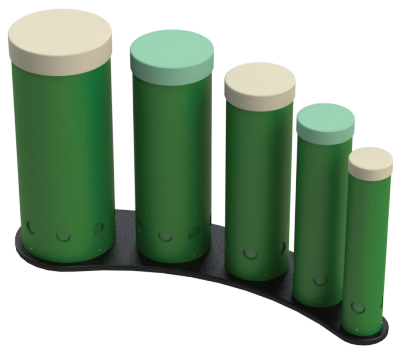
Parts:

- 15" dia. Tuned Drum (1)
- 12" dia. Tuned Drum (1)
- 10" dia. Tuned Drum (1)
- 8" dia. Tuned Drum (1)
- 6" dia. Tuned Drum (1)
- Anchor Discs (5)
- 1/4" dia. x 3-1/4" Anchor Bolt (15)
- 2" Tamper-Resistant Screw (22)
- Security Driver (1)

Weights:

Boxed Instrument Weight Adult: 110 lbs.
Boxed Instrument Weight Toddler: 90 lbs.

Cap Color Option Pictured: Taupe



Portable Mount

Parts:

- 15" dia. Tuned Drum (1)
- 12" dia. Tuned Drum (1)
- 10" dia. Tuned Drum (1)
- 8" dia. Tuned Drum (1)
- 6" dia. Tuned Drum (1)
- Portable Stand W/Anchor Discs (1)
- 2" Tamper-Resistant Screw (22)
- Security Driver (1)

Weights:

Boxed Instrument Weight Adult: 85 lbs.
Boxed Instrument Weight Toddler: 65 lbs.
Boxed Portable Stand Weight: 42 lbs.

Cap Color Option Pictured: Natural

IN-GROUND MOUNT INSTALLATION PROCEDURES

Step 1: Arrange Drums in desired location and pattern. Drums can be laid out in any configuration desirable, but must be installed less than 3" or greater than 9" apart. **WARNING: Between 3" and 9" there lies a chance for a child's head to get stuck.** (Reference: US Consumer Product Safety Commission, Public Playground Safety Handbook)

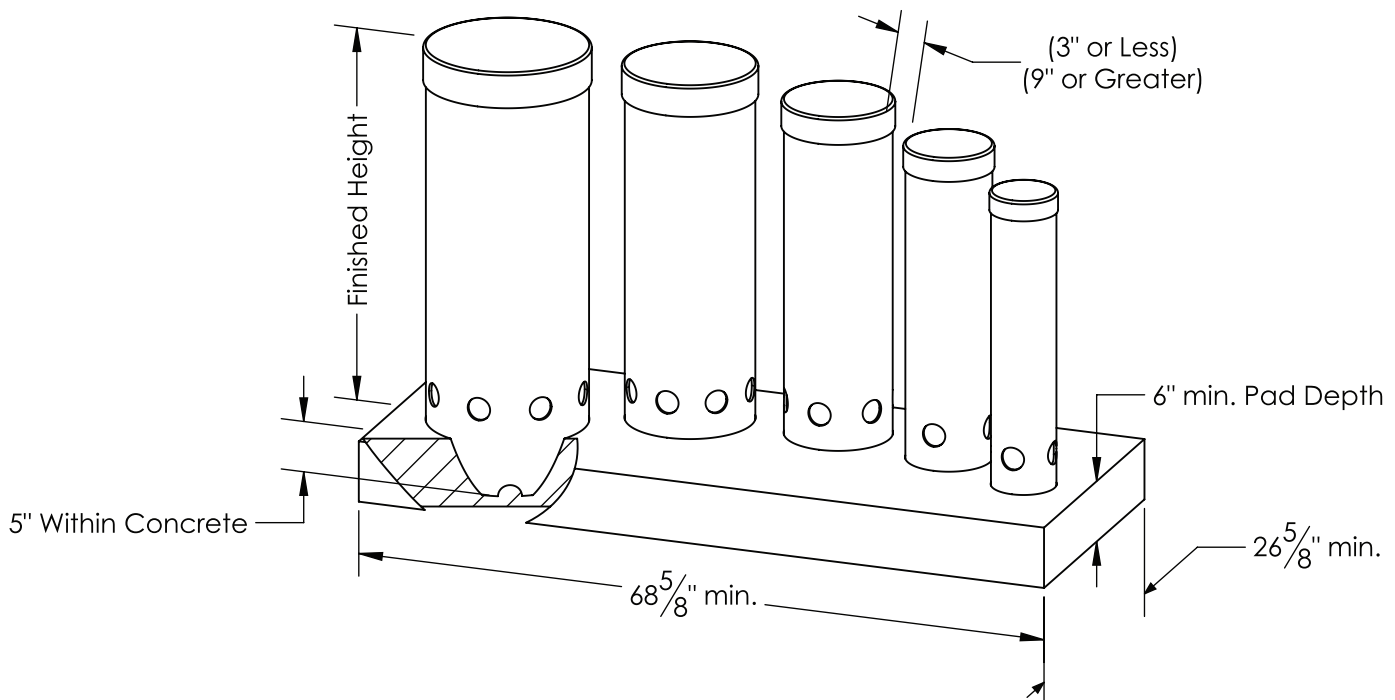
Step 2: Determine border of trench for concrete pad. Trench should be a minimum of 6" deep. Concrete pad should perform under local soil and weather conditions. Steel reinforcing and frost depth piers may need to be added to ensure stability of the installation.

Step 3: Excavate trench (and any added piers) to required depth. Check levelness of trench then pour concrete and fill trench completely per code requirements. Immediately after the concrete has been poured, drive the Tuned Drums into the wet concrete per your chosen layout.

Step 4: The bottom edge of the Drum Bases are scalloped to assist in their installation into the concrete. Twist Drums into concrete to a depth of 5". Check for plumbness, if needed brace the Drums to keep them rigid and in place during the curing process. Leave to set according to the concrete manufacturer's guidelines.

Step 5: Check for sufficient clearance around instruments. A 36" clearance is recommended around the the entire Drum arrangement for wheelchair accessibility, however this is not required for proper function. Drums may also be installed next to a wall or in a variety of different configurations.

Step 6: Remove plastic film from drum caps if applicable.



SURFACE MOUNT INSTALLATION PROCEDURES

Step 1: Arrange Drums in desired location and pattern. Drums can be laid out in any configuration desirable, but must be installed less than 3" or greater than 9" apart. **WARNING: Between 3" and 9" there lies a chance for a child's head to get stuck.** (Reference: US Consumer Product Safety Commission, Public Playground Safety Handbook). Mounting surface should be level.

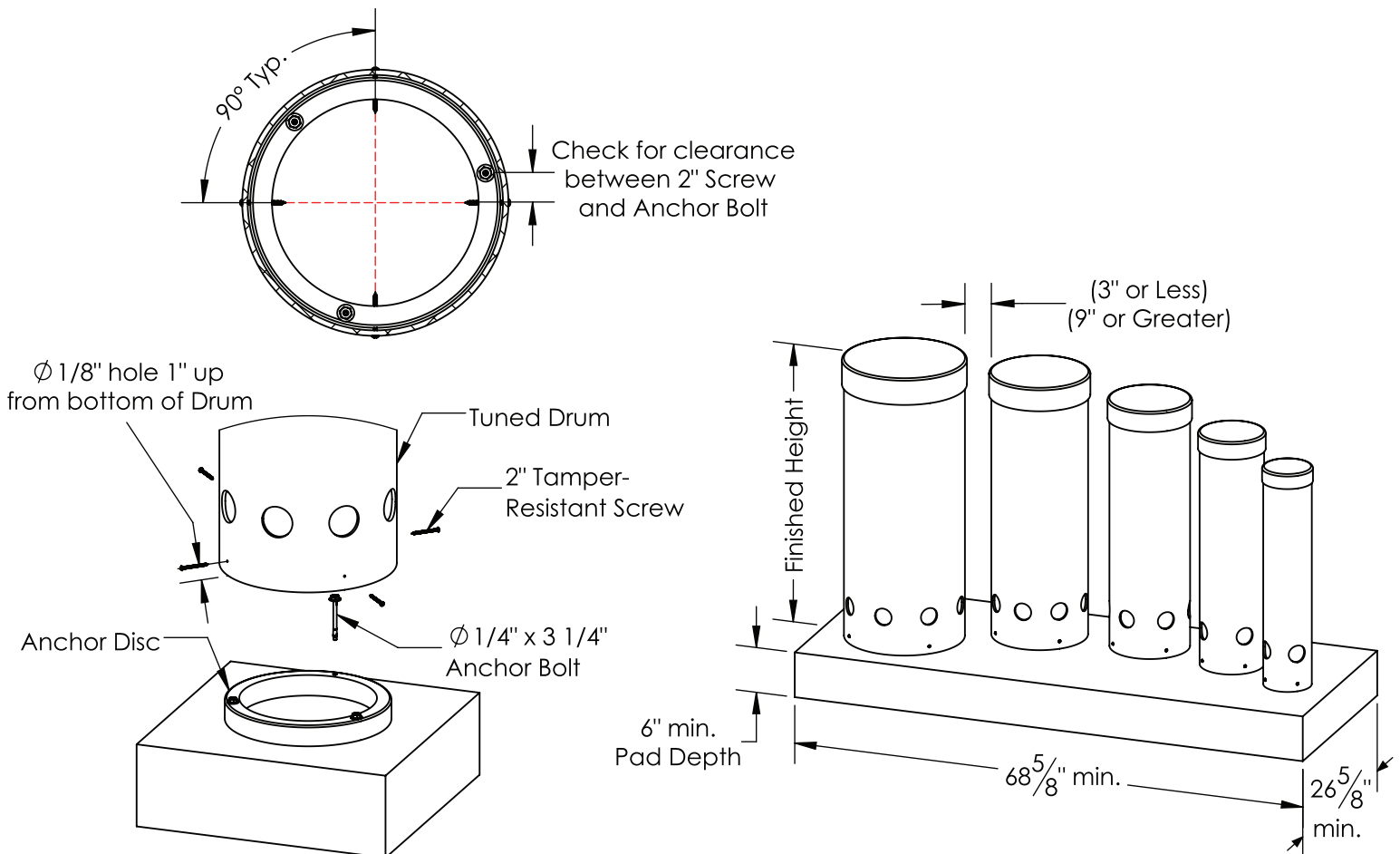
Step 2: Once you have decided your layout, replace drums with the provided Anchor Discs. Mark holes on the concrete through the (3) holes on all of the Anchor Discs. Set aside Discs, drill 1/4" holes 2" into concrete at marked locations. A 1/4" masonry drill bit will be needed. Contractor to provide a concrete slab that will perform under local soil and weather conditions. (If anchoring to a material other than concrete, fasteners to be provided by the customer)

Step 3: Place the Anchor Discs back over the drilled out holes. Insert provided anchor bolts into aligned holes. Position anchor nut so that it is flush with the top of the bolt. Pound anchor bolts into the hole until the anchor washer is flush with the post base. Tighten anchor bolts until they are snug.

Step 4: Install the Drums over the Anchor Discs. Predrill (4) 1/8" holes in a 90 cross pattern, 1" up from the bottom of the drum. Drill through both Drum and Anchor Disc. When predrilling holes, make sure they clear the previously installed anchor bolts, and that there is clearance for the 2" screws to be installed without interfering with the other drums. Secure Drums to Discs with the provided 2" Tamper-Resistant Screws.

Step 5: Check for sufficient clearance around instruments. A 36" clearance is recommended around the the entire Drum arrangement for wheelchair accessibility, however this is not required for proper function. Drums may also be installed next to a wall or in a variety of different configurations.

Step 6: Remove plastic film from drum caps if applicable.



PORTABLE MOUNT INSTALLATION PROCEDURES

Step 1: Install the Drums over the corresponding Anchor Discs. Predrill (4) 1/8" holes in a 90 cross pattern, 1" up from the bottom of the drum. Drill through both Drum and Anchor Disc. When predrilling holes, make sure they clear the preinstalled Socket Cap Bolt, and that there is clearance for the 2" screws to be installed without interfering with the other drums.

Step 2: Secure Drums to Discs with the provided 2" Tamper-Resistant Screws.

Step 3: Check for sufficient clearance around instruments. A 36" clearance is recommended around the the entire Drum arrangement for wheelchair accessibility, however this is not required for proper function. Drums may also be installed next to a wall or in a variety of different configurations.

Step 4: Remove plastic film from drum caps if applicable.

NOTE: When transporting the Tuned Drums, uninstall them from the Portable Stand. This will prevent the possibility of damaging the Drums and/or Anchor Discs.

