



Principal Plant and General Offices  
627 Amersale Drive  
Naperville, IL 60563

Toll Free: 1-800-323-5664  
Phone: 1-630-897-8489  
Fax: 1-630-897-0573  
Web Site: www.belson.com

# PARK CHIEF

Thank you for buying a BELSON OUTDOORS quality product.

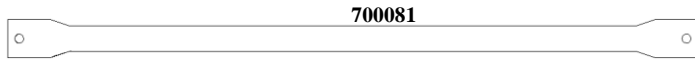
**Please read and follow assembly instructions. Refer to appropriate page depending on the table you wish to put together. If the lumber is not provided by Belson, follow drilling instructions on page (2).**

## INDEX

- 1) FRAME KIT CONTENTS
- 2) LUMBER CONTENTS AND DRILLING INST.
- 3) RECYCLED PLASTIC TABLE ASSEMBLY INST.
- 4) RECYCLED PLASTIC TABLE (CONTINUED)

## **PC-WF-CO FRAME KIT CONTENTS:**

### **(2) SUPPORT BRACE**



700081

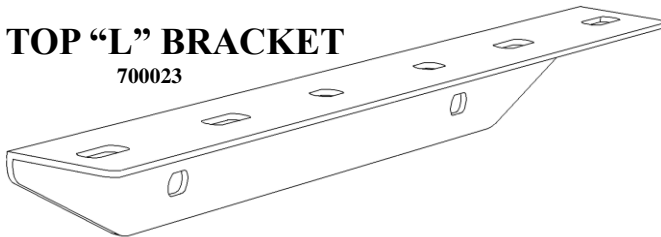
### **(1) HARDWARE BAG**

702302



### **(2) TOP "L" BRACKET**

700023



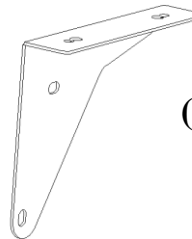
### **(2) SEAT BRACKET**

700004



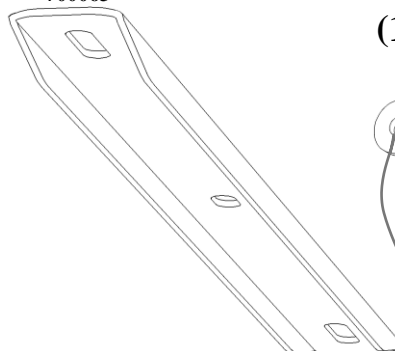
### **(2) SEAT BRACKET**

700005



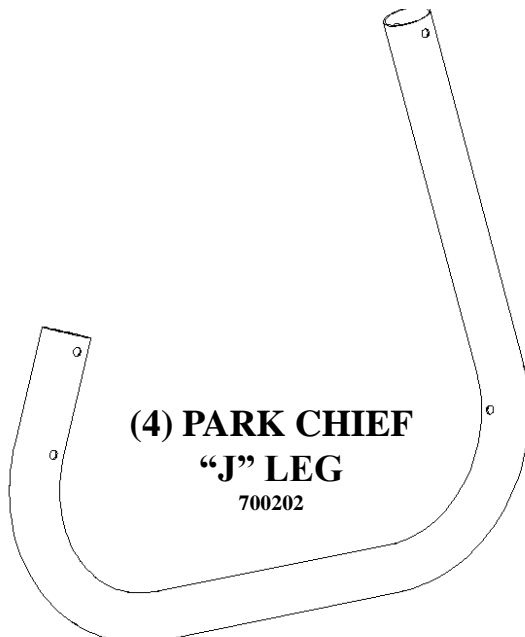
### **(1) CENTER CHANNEL**

700063



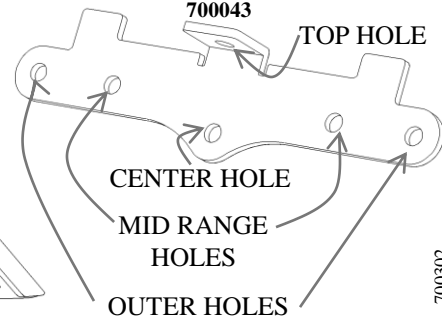
### **(1) CENTER BRACKET**

700043



### **(4) PARK CHIEF "J" LEG**

700202



# BELSON PRE CUT & PRE DRILLED LUMBER KIT (OPTIONAL)

## LUMBER KIT CONTENTS:

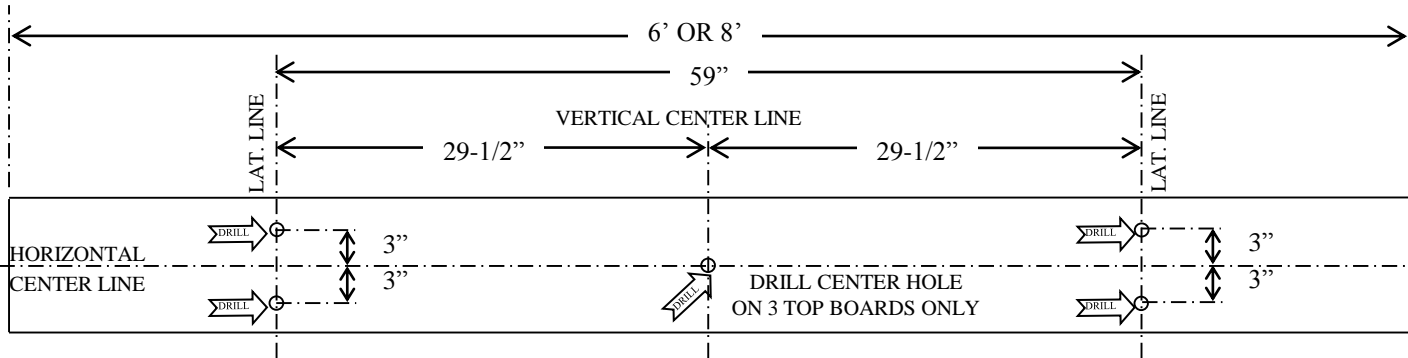
|                             |   |        |                |
|-----------------------------|---|--------|----------------|
| ○<br><b>CENTER (1)</b><br>○ | ○ | ○<br>○ | <b>5 HOLES</b> |
| ○<br><b>SIDE (2)</b><br>○   | ○ | ○<br>○ | <b>5 HOLES</b> |
| ○<br><b>SEAT (2)</b><br>○   |   | ○<br>○ | <b>4 HOLES</b> |

THE SIZE OF THE BOARDS DEPENDS ON TABLE/KIT MODEL, EITHER 6' OR 8' SEE INSTRUCTIONS FOR ASSEMBLY.

## BOARDS PICNIC TABLE DRILL PATTERN

**TOOLS NEEDED:** drill, 3/8" drill bit, pencil and tape measure or ruler.

**RECOMMENDED LUMBER:** 2" x 10" Nominal (1-1/2" thick by 9-1/4" wide).



- 1.-Make sure all 5 boards are of consistent length, roughly 6' or 8' (two 6' and three 8' for ADA models).
- 2.-Lay all 5 boards on a flat surface that will not damage the boards with the best side down.
- 3.-Draw centered *Vertical* and *Horizontal Lines*, then two *Lateral Lines* 29-1/2" from *Vertical Center Line* on all boards (this will be your reference for hole locations).
- 4.-Drill 3/8" diameter holes in boards per drill pattern and notes indicated above.

# RECYCLED PLASTIC PARK CHIEF ASSEMBLY INSTRUCTIONS

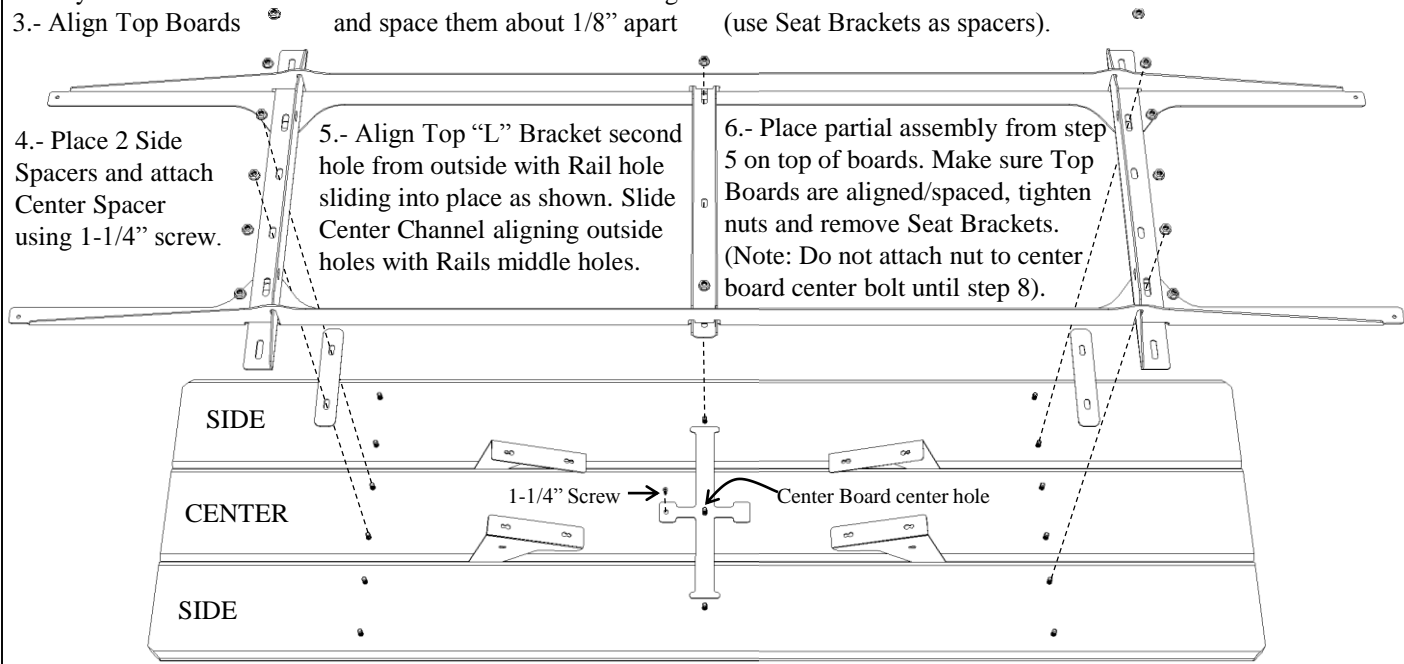
**TOOLS REQUIRED:** 9/16" wrench, hammer, powered screw driver or drill with Phillips tip No. 2.

- 1.- Insert 2-1/4" carriage bolts through 3 Top Boards best face. Use 2-3/4" carriage bolt for Center Board's center hole from Super Structure hardware package.
- 2.- Lay on a non-abrasive flat surface with the best side facing down.
- 3.- Align Top Boards and space them about 1/8" apart (use Seat Brackets as spacers).

4.- Place 2 Side Spacers and attach Center Spacer using 1-1/4" screw.

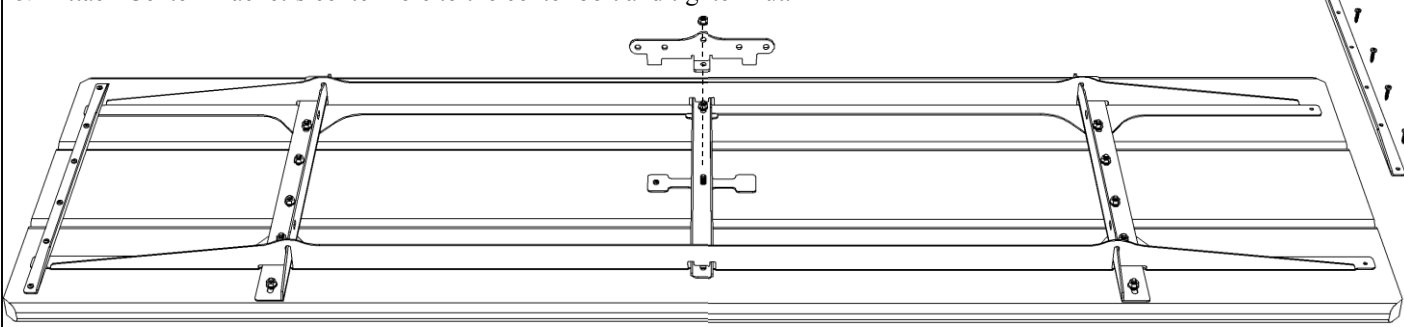
5.- Align Top "L" Bracket second hole from outside with Rail hole sliding into place as shown. Slide Center Channel aligning outside holes with Rails middle holes.

6.- Place partial assembly from step 5 on top of boards. Make sure Top Boards are aligned/spaced, tighten nuts and remove Seat Brackets. (Note: Do not attach nut to center board center bolt until step 8).



7.- Attach Side Angles aligning over Top Boards and Rail ends using 1-1/4" screws as shown.

8.- Attach Center Bracket's center hole to the center bolt and tighten nut.

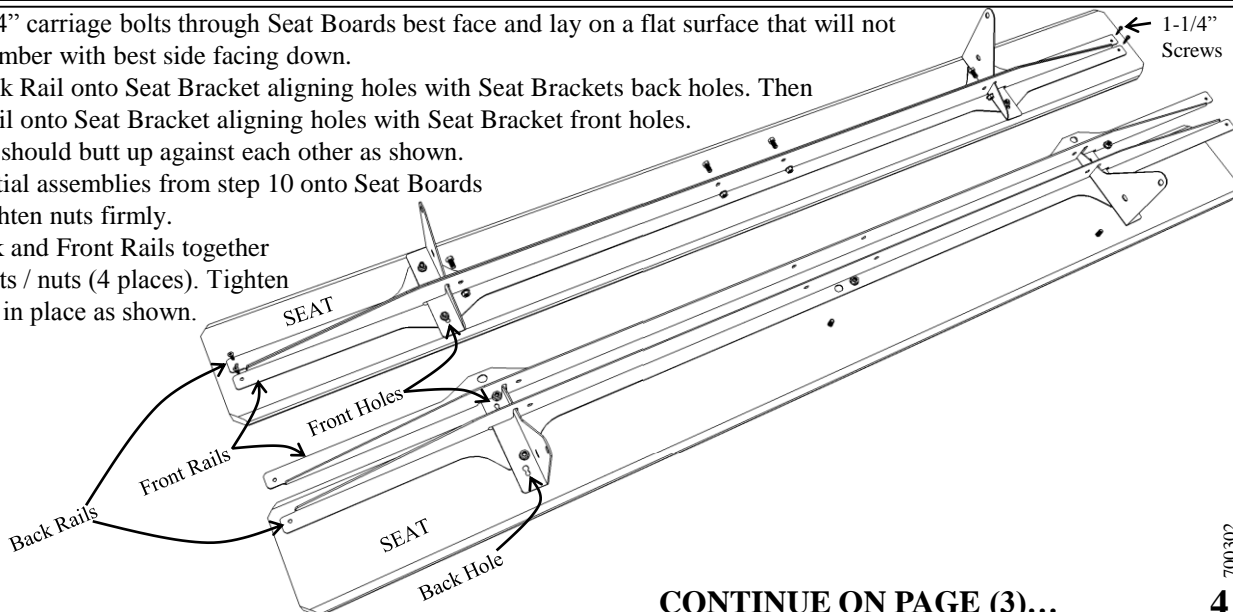


9.- Insert 2-1/4" carriage bolts through Seat Boards best face and lay on a flat surface that will not damage the lumber with best side facing down.

10.- Slide Back Rail onto Seat Bracket aligning holes with Seat Brackets back holes. Then slide Front Rail onto Seat Bracket aligning holes with Seat Bracket front holes. Angled edges should butt up against each other as shown.

11.- Place partial assemblies from step 10 onto Seat Boards as shown. Tighten nuts firmly.

12.- Bolt Back and Front Rails together using 3/4" bolts / nuts (4 places). Tighten 1-1/4" screws in place as shown.

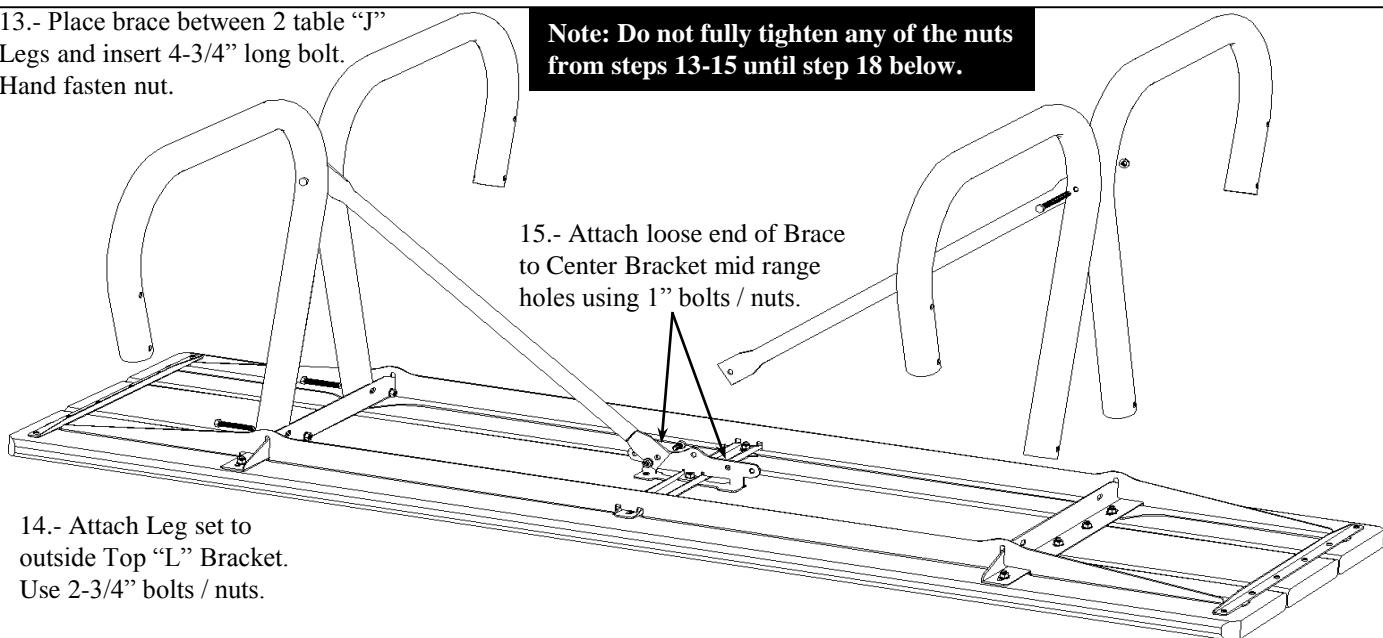


CONTINUE ON PAGE (3)...

# FOLLOW STEPS 13 TO 19 FOR 6' AND 8' PLASTIC PARK CHIEF

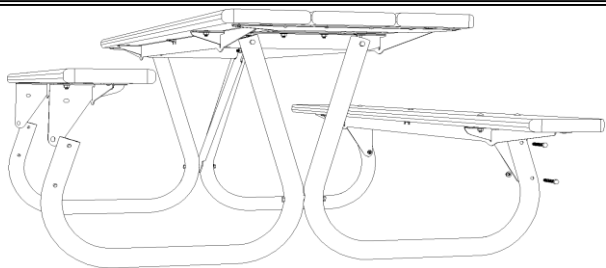
13.- Place brace between 2 table "J" Legs and insert 4-3/4" long bolt. Hand fasten nut.

**Note: Do not fully tighten any of the nuts from steps 13-15 until step 18 below.**



15.- Attach loose end of Brace to Center Bracket mid range holes using 1" bolts / nuts.

14.- Attach Leg set to outside Top "L" Bracket. Use 2-3/4" bolts / nuts.



16.- Flip the partial table assembly into an upright position.  
17.- Attach Seats to Frame with table legs outside Seat Brackets as shown. Use 2-3/4" bolts / nuts.  
18.- Tighten all nuts firmly, including assembled parts in steps 13, 14 and 15.  
19.- The Picnic Table is finished.