



Principal Plant and General Offices
627 Amersale Drive
Naperville, IL 60563

Toll Free: 1-800-323-5664
Phone: 1-630-897-8489
Fax: 1-630-897-0573
Web Site: www.belson.com

PARK MASTER

Thank you for buying a BELSON OUTDOORS quality product.

INDEX

- 1) FRAME KIT CONTENTS
- 2) PLANK KIT CONTENTS AND PLANK REFERENCES
- 3) ALUMINUM TABLE 6' & ADA ASSEMBLY INST.

PMB-AF or PMG-AF FRAME KIT CONTENTS:

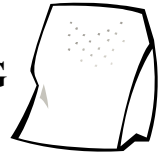
(2) SUPPORT BRACE

700083 BLACK
700082 GALVANIZED



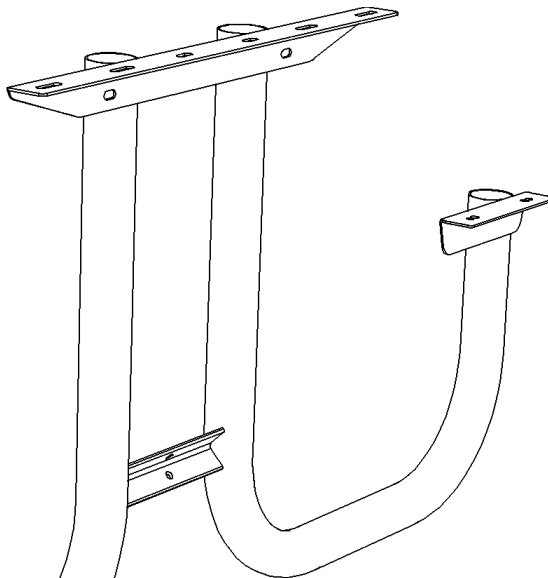
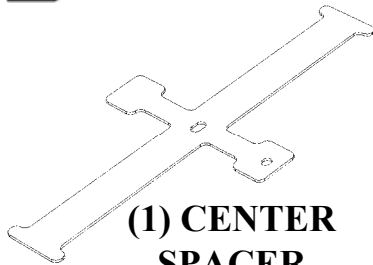
(1) HARDWARE BAG

702311



(1) CENTER SPACER

700072



(2) PARK MASTER LEG

708202 BLACK
708203 GALVANIZED

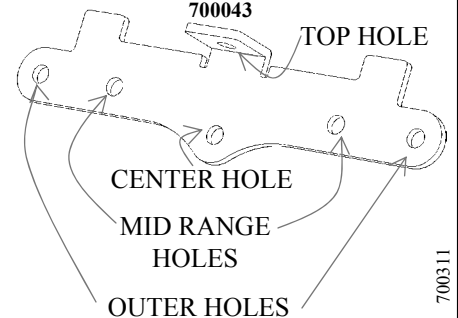
(1) CENTER CHANNEL

700063



(1) CENTER BRACKET

700043



700311

BELSON ALUMINUM PLANK KIT

PLANK KIT CONTENTS:

ALUMINUM PLANK (5)

TOP VIEW

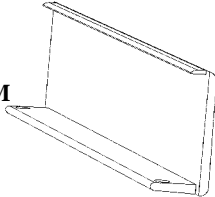
SIDE VIEW

6' ALUMINUM		
KELLY GREEN	TAN	ANODIZED
702171	702172	702173

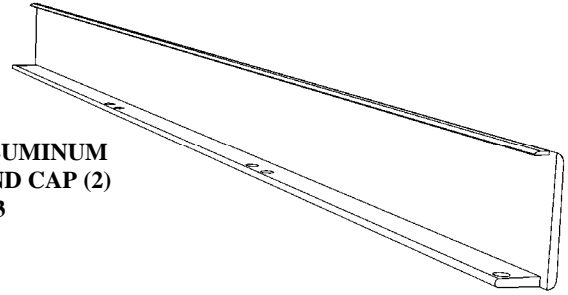
8' ALUMINUM		
KELLY GREEN	TAN	ANODIZED
702161	702162	702163

BOARDS SIZE DEPENDS ON TABLE/KIT MODEL, EITHER 6' OR 8' SEE INSTRUCTIONS FOR ASSEMBLY.

**ANODIZED ALUMINUM
SEAT END CAP (4)
702032**

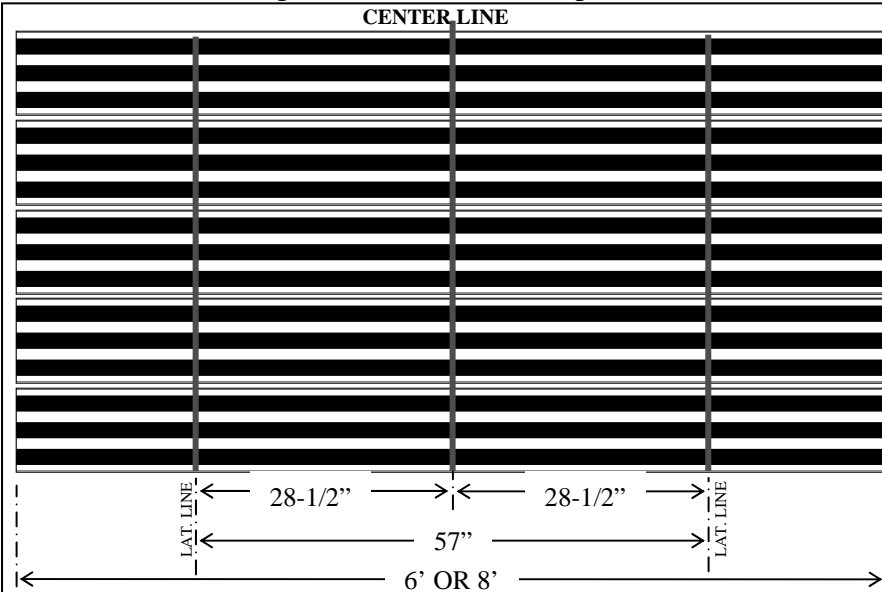


**ANODIZED ALUMINUM
TABLE TOP END CAP (2)
702033**



REFERENCES FOR ALUMINUM PLANKS

TOOLS NEEDED: pencil or marker and tape measure or ruler.

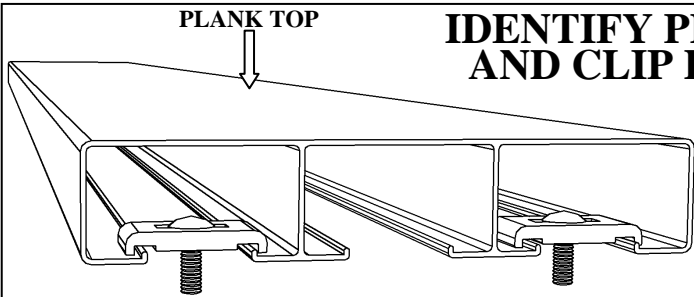


DRAWING REFERENCE LINES:

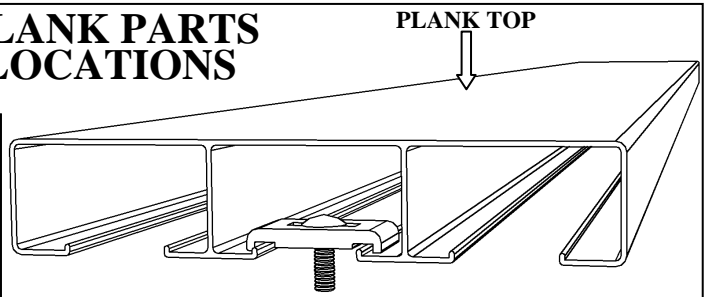
Lay all 5 Planks side by side on a non-abrasive flat surface that will not damage the aluminum with the plank legs facing up as shown (bottom side up).

Draw a *Center Line* across all 5 Planks measuring equal distance from side edges. Then draw two *Lateral Lines* 28-1/2" parallel from *Center Line* on all boards (this will be your reference for bracket locations).

IDENTIFY PLANK PARTS AND CLIP LOCATIONS



CLIPS MOUNTED ON SIDE CHANNELS
These locations are for *Lateral Components*:
When attaching Seat / Seat Brackets and Top "L" Brackets to Aluminum Planks.



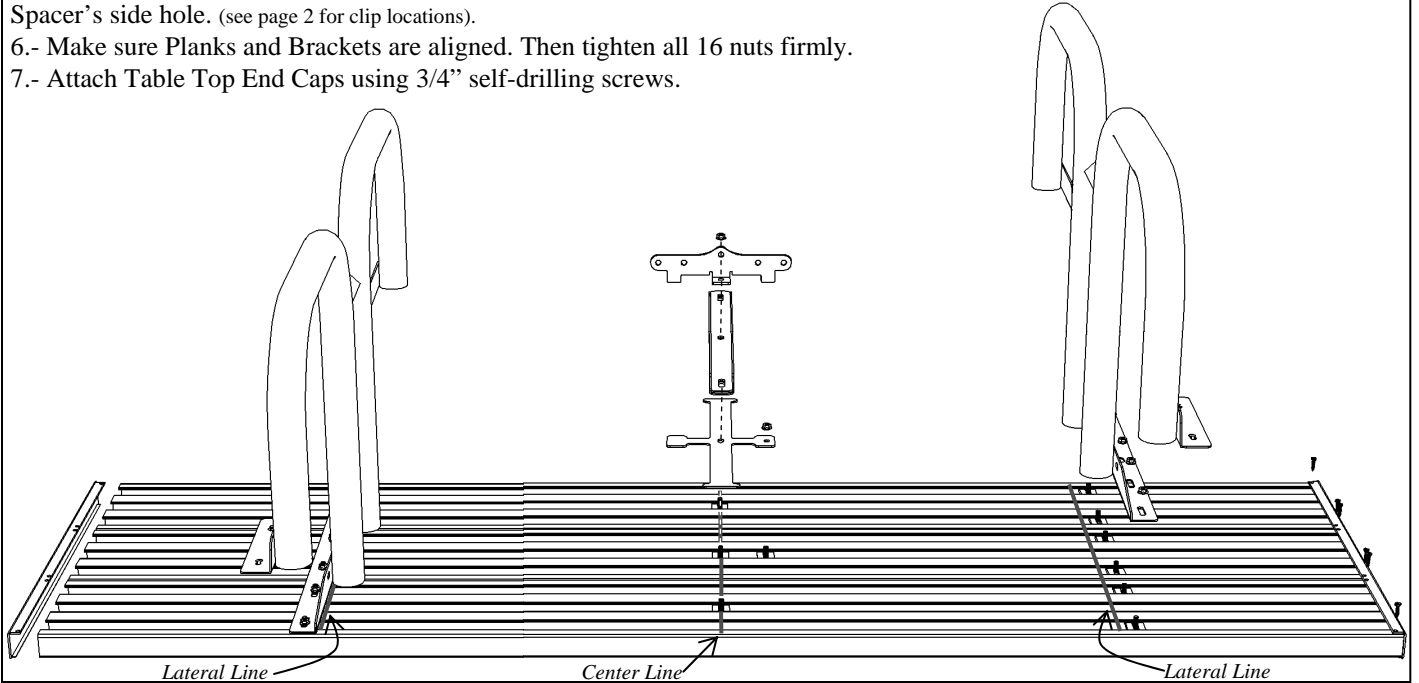
CLIP MOUNTED ON CENTER CHANNEL
This location is for *Center Components*:
When attaching Center Bracket, Center Channel and Center Spacer to Aluminum Planks.

700311

6' & ADA ALUMINUM PARK MASTER ASSEMBLY INSTRUCTIONS

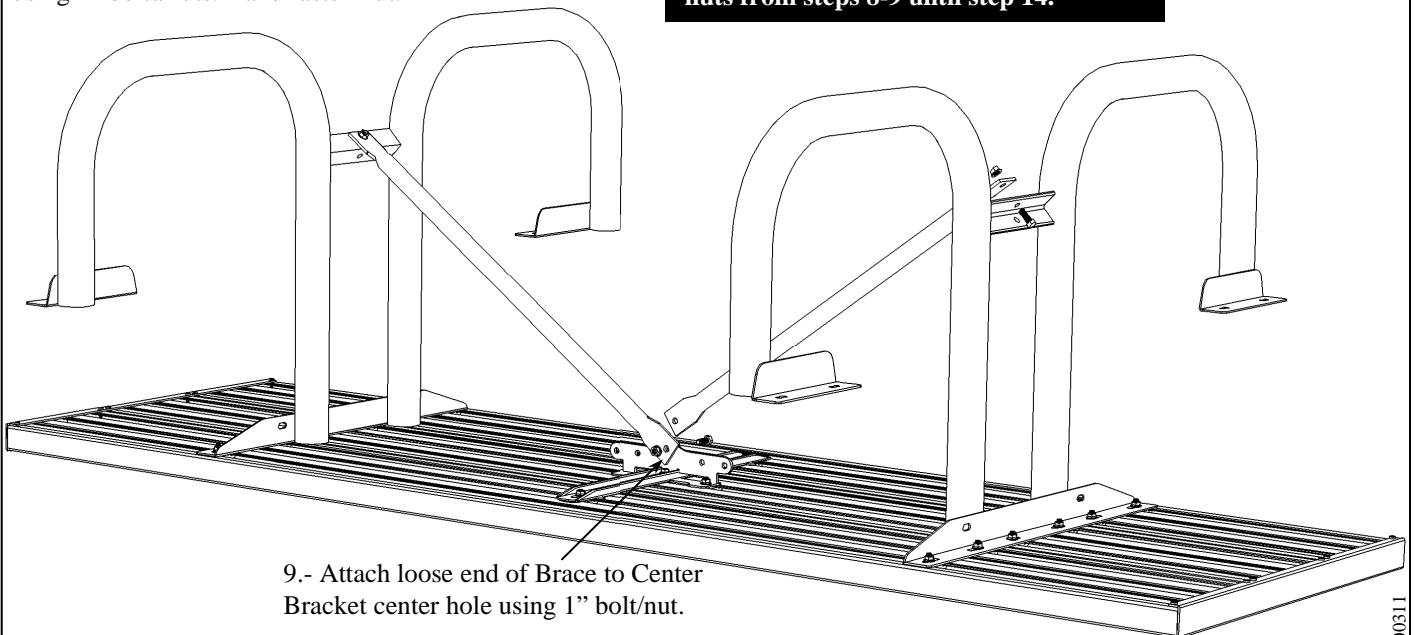
TOOLS REQUIRED: 9/16" wrench, 1/2" wrench and powered screw driver or drill with Phillips tip No. 2.

- 1.- Lay 3 Planks aligned side by side on a non-abrasive flat surface that will not damage the aluminum with legs facing up.
- 2.- Place 2 Legs with Top "L" Brackets aligned with the angled edge along the reference *Lateral Lines*. Attach each Bracket with 6 clips and 1" carriage bolts mounted in Plank's side channels as shown. Hand fasten nuts. (see page 2 for clip locations).
- 3.- Insert 1-1/4" carriage bolt through clip and place in Plank's center channel aligned with the *Center Line*. While holding the clip/bolt, place Center Spacer, Center Channel and Center Bracket as shown. Hand fasten nut. (see page 2 for clip locations).
- 4.- Align parts assembled in step 4 to *Center Line* and attach Center Channel's outer holes to side Planks using mounting clips and 1" bolts. Hand fasten nuts. (see page 2 for clip locations).
- 5.- Verify Center Spacer alignment. Then use clip and 1" carriage bolt mounted in center Plank's center channel to attach Center Spacer's side hole. (see page 2 for clip locations).
- 6.- Make sure Planks and Brackets are aligned. Then tighten all 16 nuts firmly.
- 7.- Attach Table Top End Caps using 3/4" self-drilling screws.



- 8.- Attach Brace to angle on Leg using 1" bolts/nuts. Hand fasten nut.

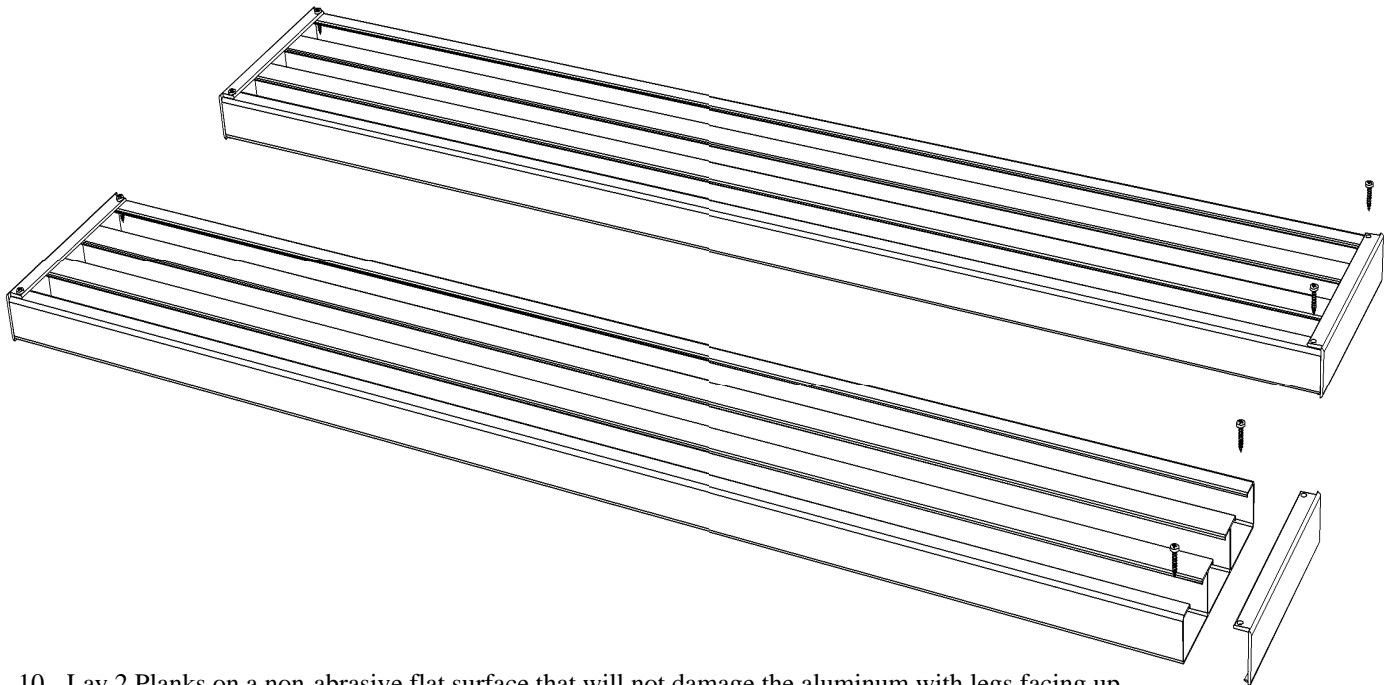
Note: Do not fully tighten any of the nuts from steps 8-9 until step 14.



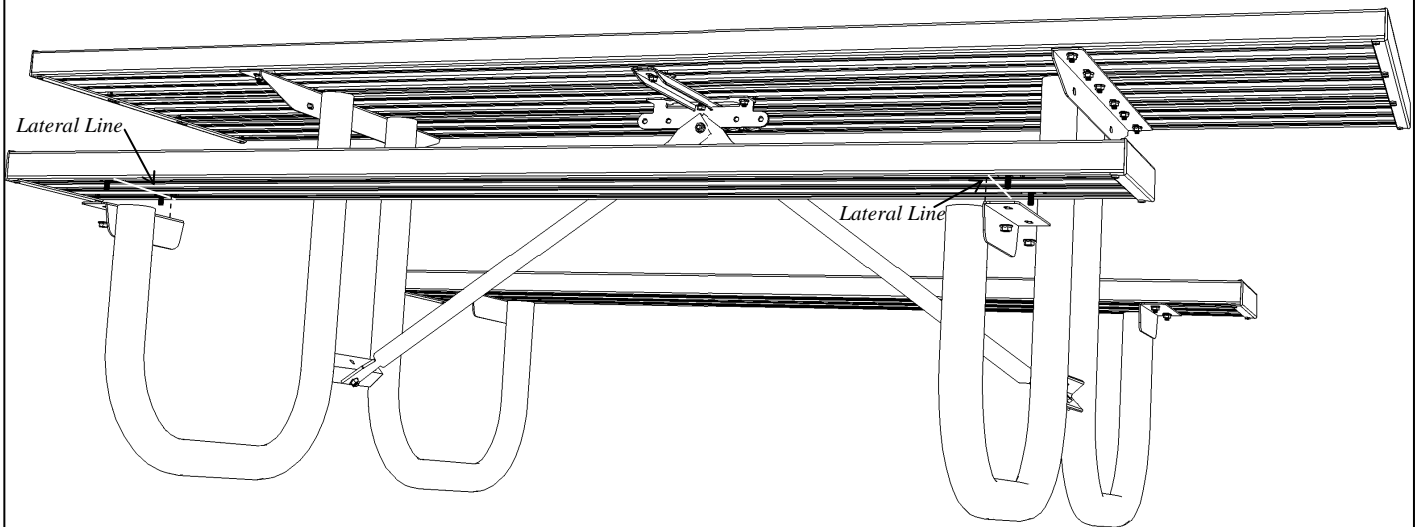
- 9.- Attach loose end of Brace to Center Bracket center hole using 1" bolt/nut.

CONTINUE ON PAGE (4)...

6' & ADA ALUMINUM PARK MASTER ASSEMBLY INSTRUCTIONS (CONTINUED)



- 10.- Lay 2 Planks on a non-abrasive flat surface that will not damage the aluminum with legs facing up.
- 11.- Attach Seat End Caps using 3/4" self-drilling screws.



- 12.- Flip the partial table assembly into an upright position.
- 13.- Attach Seat Planks to Seat Bracket with the angled edge along the *Lateral Lines* as shown. Attach using clips and 1" carriage bolts mounted in side channels. Tighten firmly.
- 14.- Tighten all nuts firmly, including assembled parts in steps 8 and 9.
- 15.- The Picnic Table is finished.