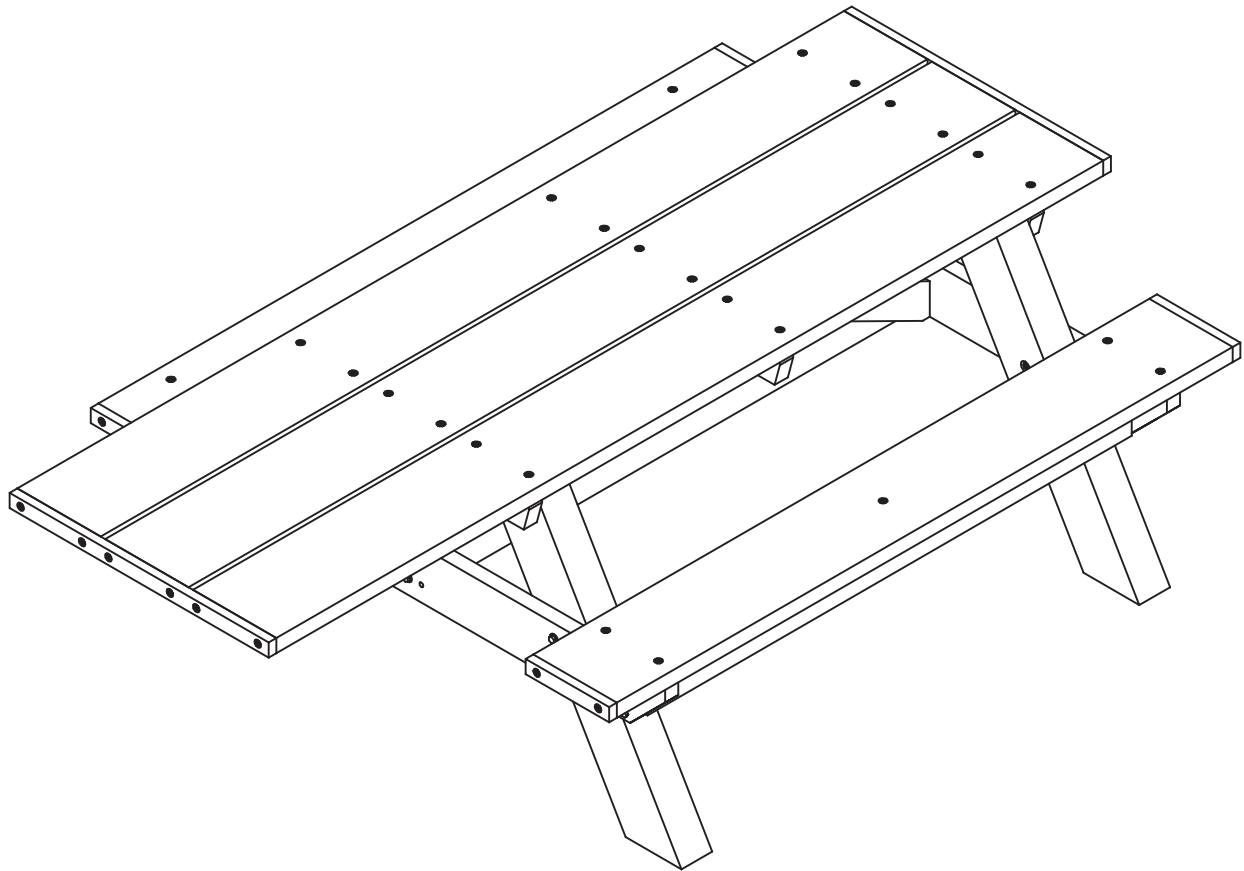


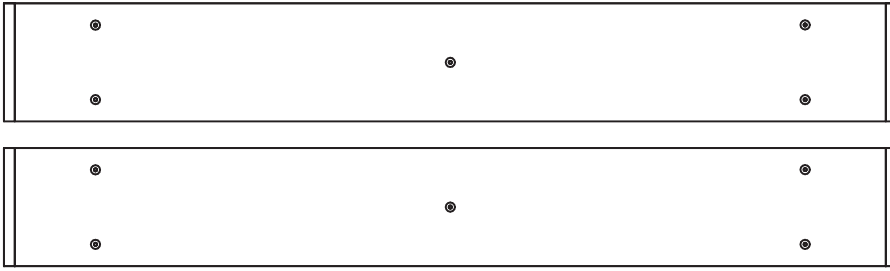
Model # RPS8HA

Instructions Sheet

**RECYCLED PLASTIC UNIVERSAL ACCESS PICNIC TABLE**



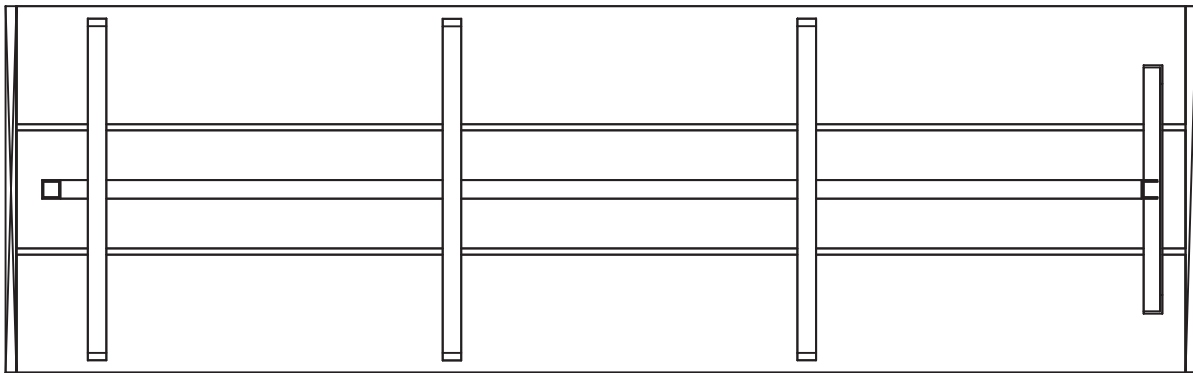
BEFORE ASSEMBLY, PLEASE MAKE SURE ALL COMPONENTS ARE INCLUDED.



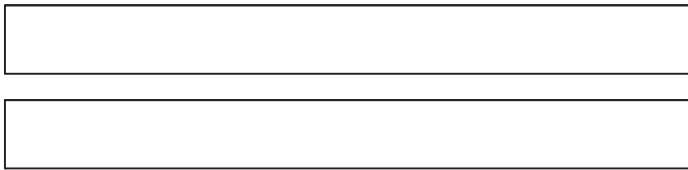
D - SEAT  
( 2 ) - TWO SEATS



FP - FASTENER PACK  
( 1 ) - ONE FASTENER PACK



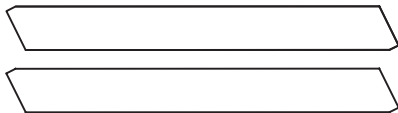
C - TABLE TOP  
( 1 ) - ONE TABLE TOP



G - UNDER SEAT SUPPORT  
( 2 ) - TWO UNDER SEAT SUPPORTS



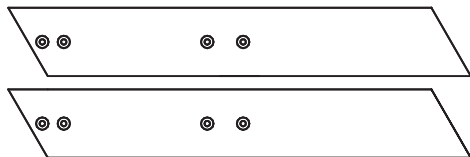
H - SEAT TOP SUPPORT  
( 2 ) - TWO SEAT CROSS SUPPORTS



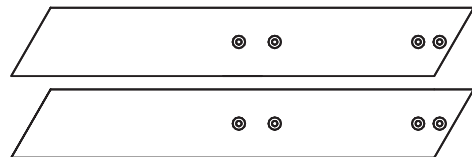
N - ANGLE SUPPORT  
( 2 ) - TWO ANGLE SUPPORTS



O - CENTER SUPPORT  
( 1 ) - CENTER SUPPORT



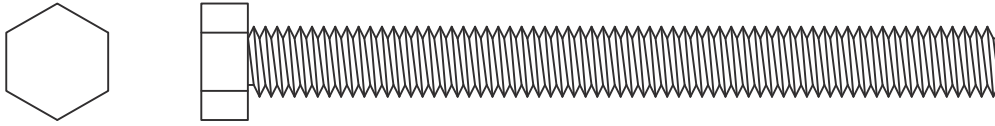
K - RIGHT LEG  
( 2 ) - TWO RIGHT LEGS



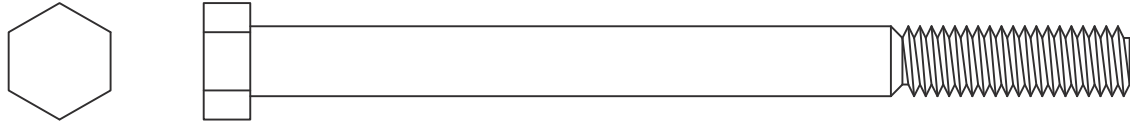
J - LEFT LEG  
( 2 ) - TWO LEFT LEGS

BEFORE ASSEMBLY, PLEASE MAKE SURE ALL FASTENERS ARE INCLUDED.

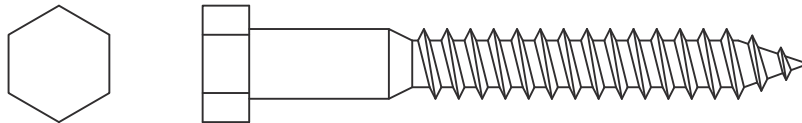
16 - 3/8" X 4" HEX BOLT LAG BOLT



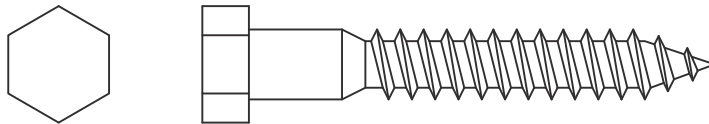
16 - 3/8" X 5" HEX HEAD BOLT



8 - 3/8" X 3" HEX HEAD LAG BOLT



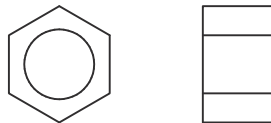
4 - 3/8" X 2-1/2" HEX HEAD LAG BOLT



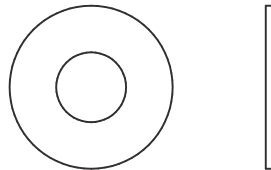
10 - #12 X 3" FLAT HEAD PHILLIPS SCREW



16 - 3/8" NYLON LOCK NUT



46 - 3/8" FLAT WASHER



2 - 5/8" X 1" CROSS DOWEL



ALSO NEEDED FOR THIS ASSEMBLY WILL BE THE FOLLOWING MATERIALS:

1 - #3 PHILLIPS DRIVE BIT

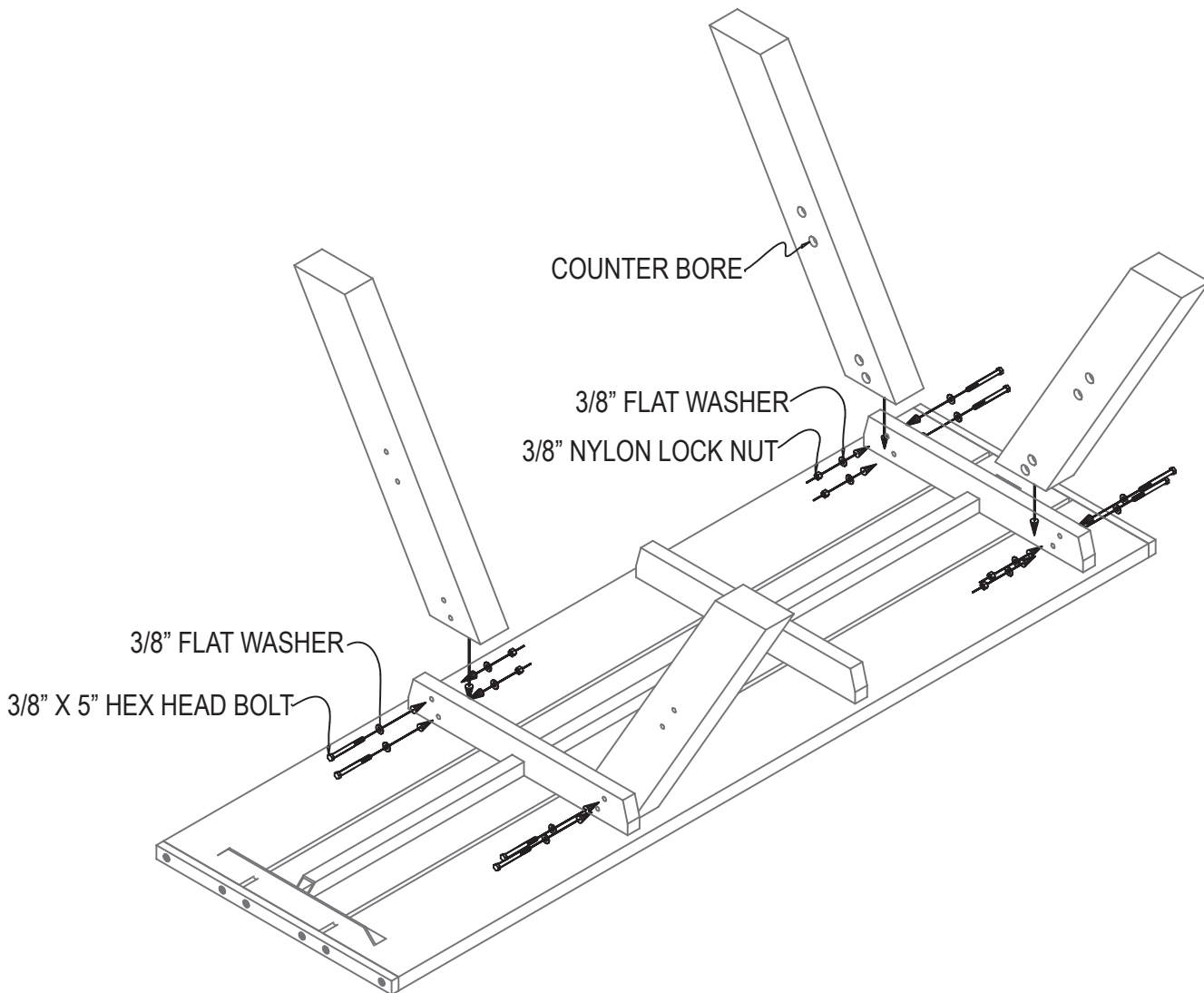
2 - 9/16" SOCKET WRENCH

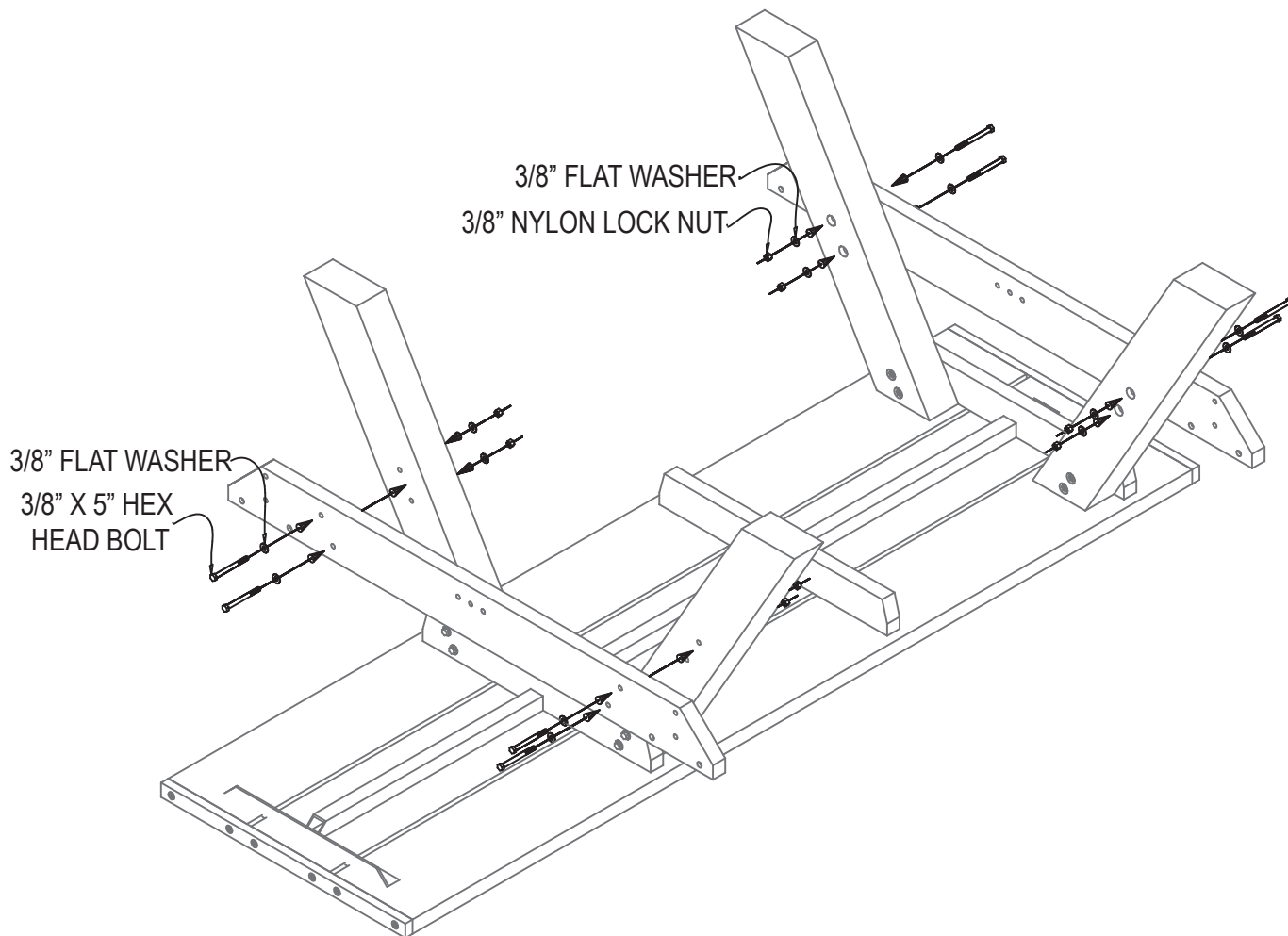
1 - 1/4" FLAT HEAD SCREWDRIVER

**STEP #1:**

WHILE THE TABLE TOP IS UPSIDE-DOWN, FASTEN THE LEGS TO THE UNDER TOP SUPPORTS, BEING SURE THAT THE COUNTER BORES ARE POINTING TOWARD THE CENTER OF THE TABLE, AS SHOWN BELOW. USE ( 1 ) ONE 3/8" X 5" HEX HEAD BOLT, ALONG WITH ( 1 ) ONE 3/8" FLAT WASHER AND ( 1 ) 3/8" NYLON LOCK NUT PER HOLE TO SECURE.

NOTE: DO NOT TIGHTEN BOLTS COMPLETELY. THIS WILL BE DONE IN A LATER STEP.





**STEP #2:**

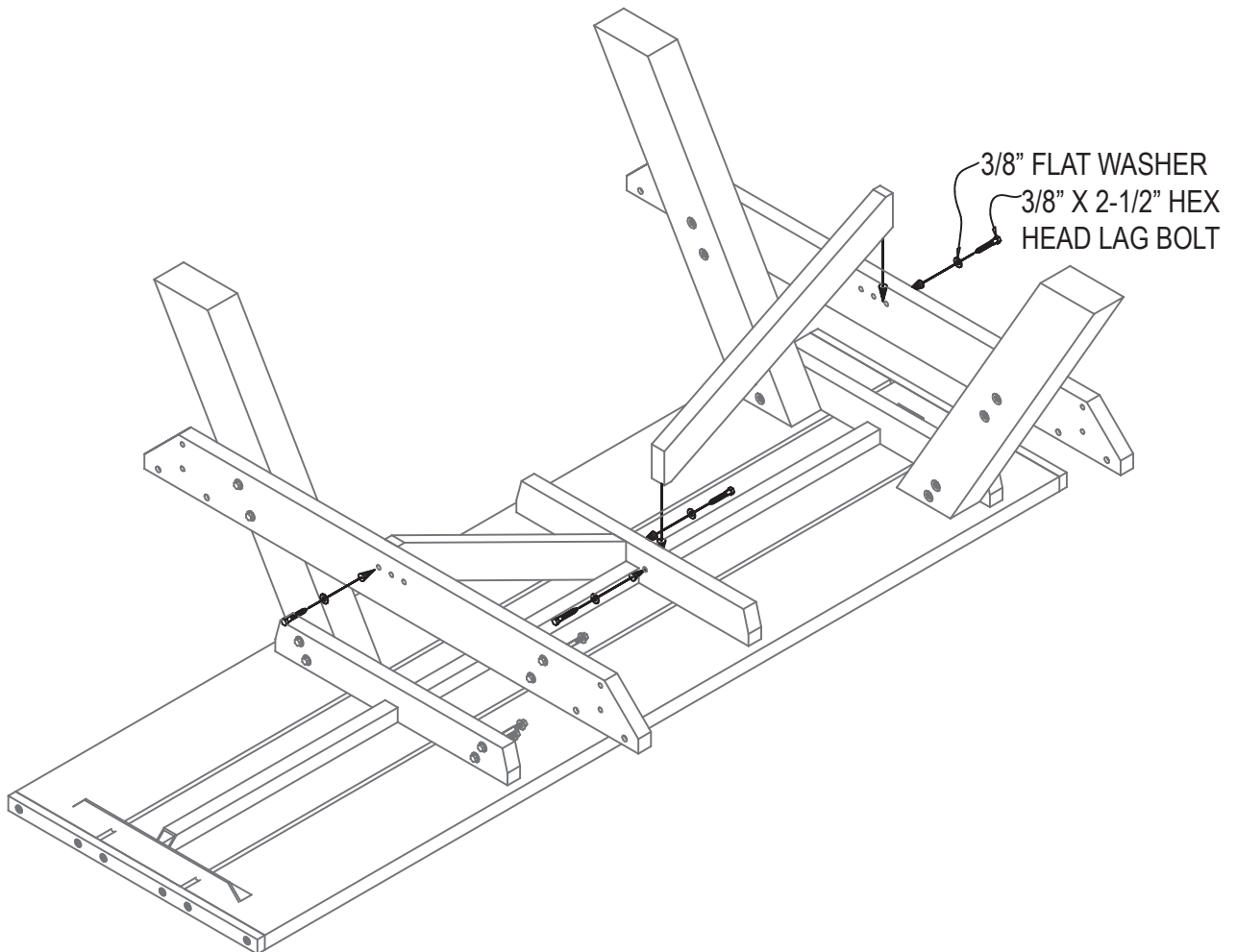
WHILE THE TABLE TOP IS UPSIDE-DOWN, FASTEN THE SEAT CROSS SUPPORTS TO THE LEGS. USE ( 1 ) ONE 3/8" X 5" HEX HEAD BOLT ALONG WITH ( 1 ) ONE 3/8" FLAT WASHER AND ( 1 ) 3/8" NYLON LOCK NUT PER HOLE TO SECURE.

NOTE: DO NOT TIGHTEN BOLTS COMPLETELY. THIS WILL BE DONE IN A LATER STEP.

**STEP #3:**

WHILE THE TABLE TOP IS UPSIDE-DOWN, FASTEN THE ANGLE SUPPORTS TO THE SEAT CROSS SUPPORTS AND THE CENTER TOP SUPPORT. USE ( 1 ) ONE 3/8" X 2-1/2" HEX HEAD LAG BOLT AND ( 1 ) ONE 3/8" FLAT WASHER PER HOLE TO SECURE.

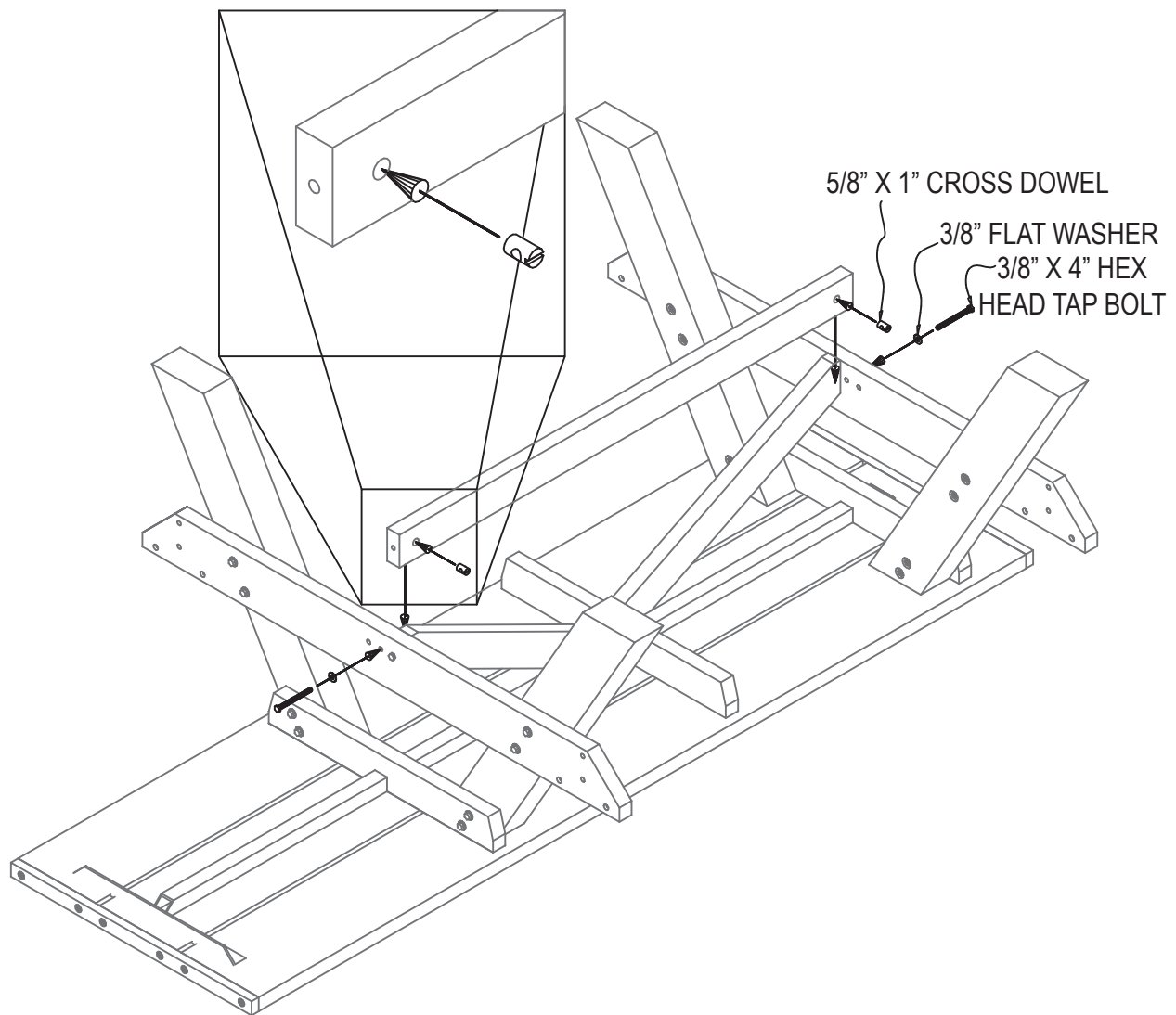
NOTE: BE SURE TO TIGHTEN ALL LOOSE BOLTS AFTER THIS STEP IS COMPLETE.



NOTE: LEG IS REMOVED TO SHOW DETAIL. DO NOT REMOVE LEG FOR THIS STEP.

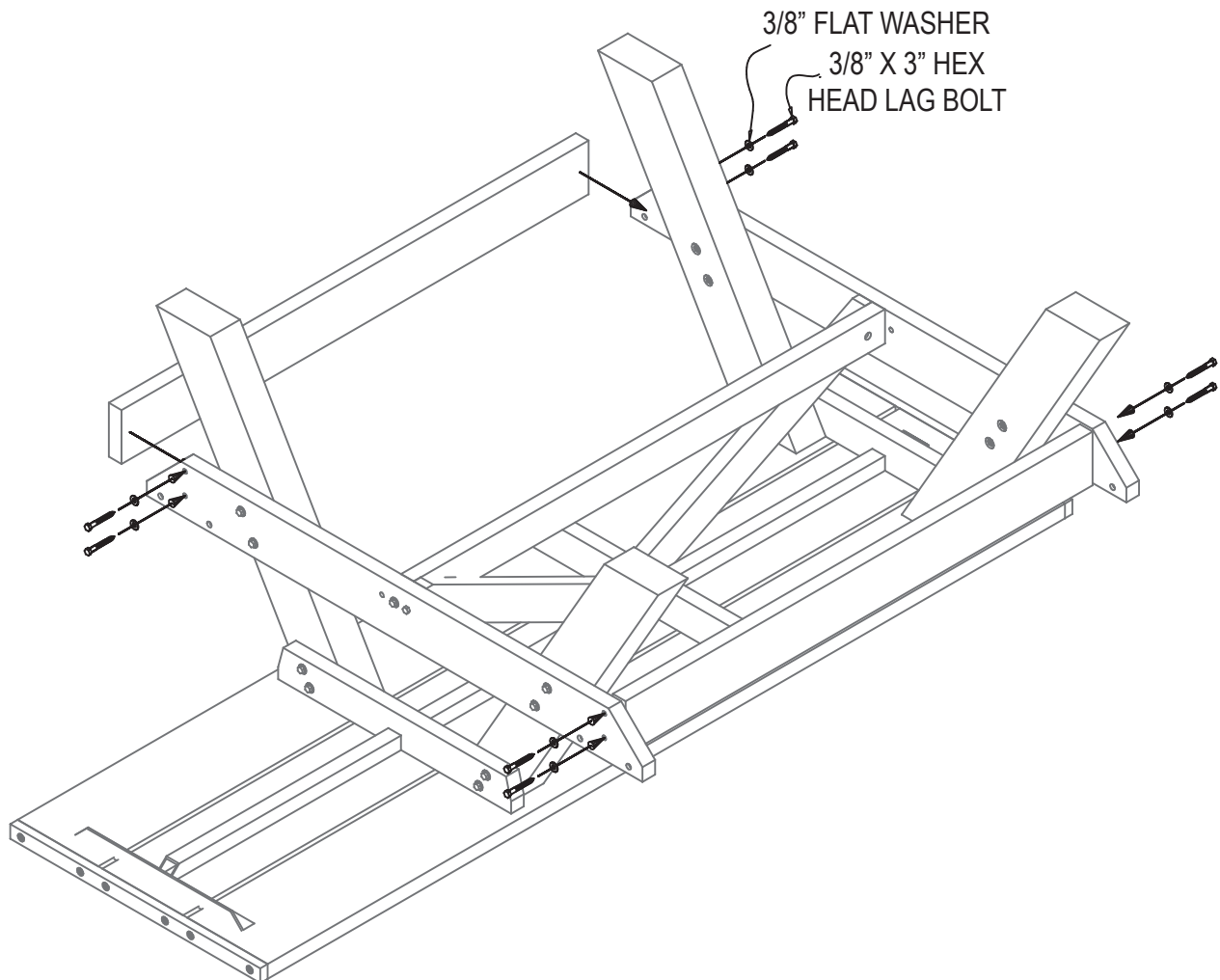
**STEP #4:**

PLACE ( 1 ) ONE 5/8" X 1" CROSS DOWEL IN EACH HOLE OF THE CENTER SUPPORT, AS SHOWN IN THE DIAGRAM BELOW. YOU MAY NEED TO TAP THE CROSS DOWELS IN PLACE. BE SURE THE SCORE ON THE DOWEL HEAD IS IN LINE WITH THE LENGTH OF THE CENTER SUPPORT AS SHOWN BELOW.



**STEP #5:**

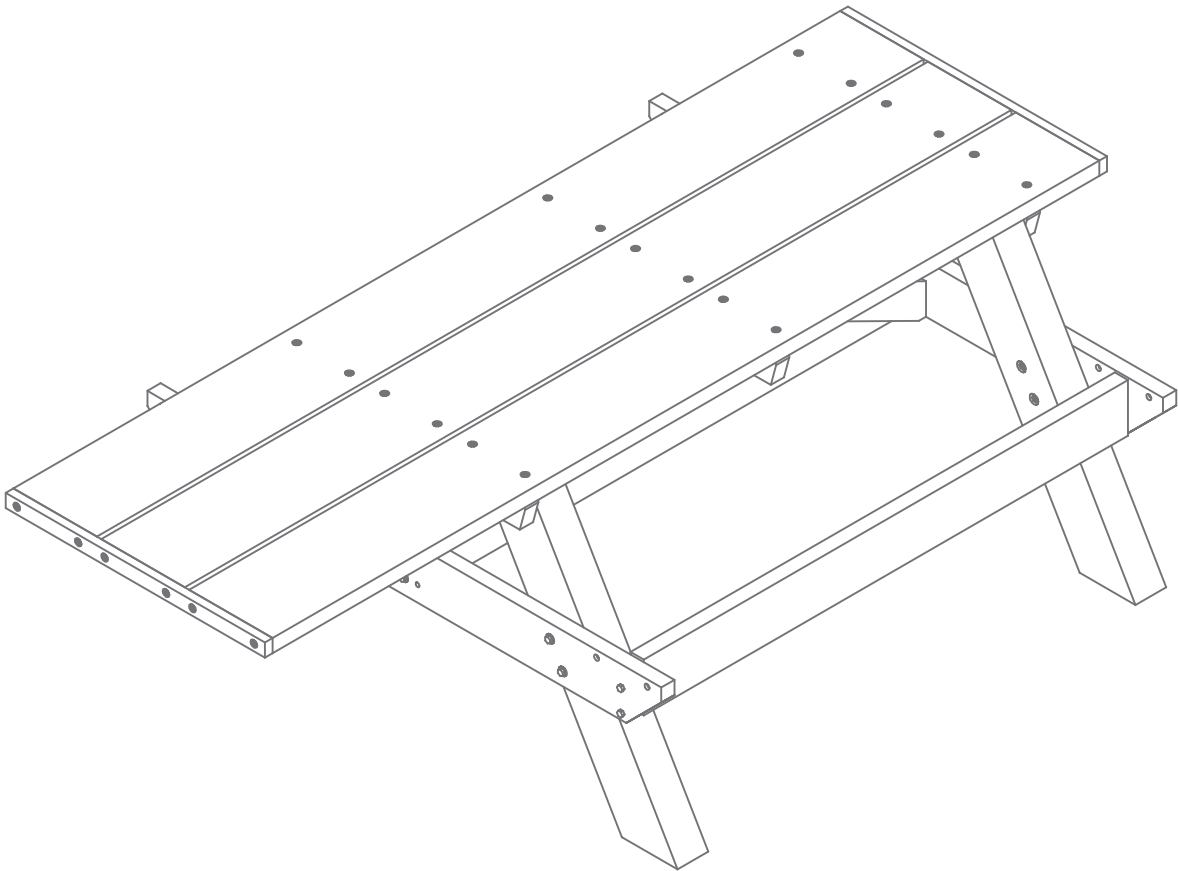
WHILE THE TABLE TOP IS UPSIDE-DOWN, FASTEN THE CENTER SUPPORT TO THE SEAT CROSS SUPPORTS. USE ( 1 ) ONE 3/8" X 4" HEX HEAD TAP BOLT AND ( 1 ) ONE 3/8" FLAT WASHER PER HOLE TO SECURE.



**STEP #6:**

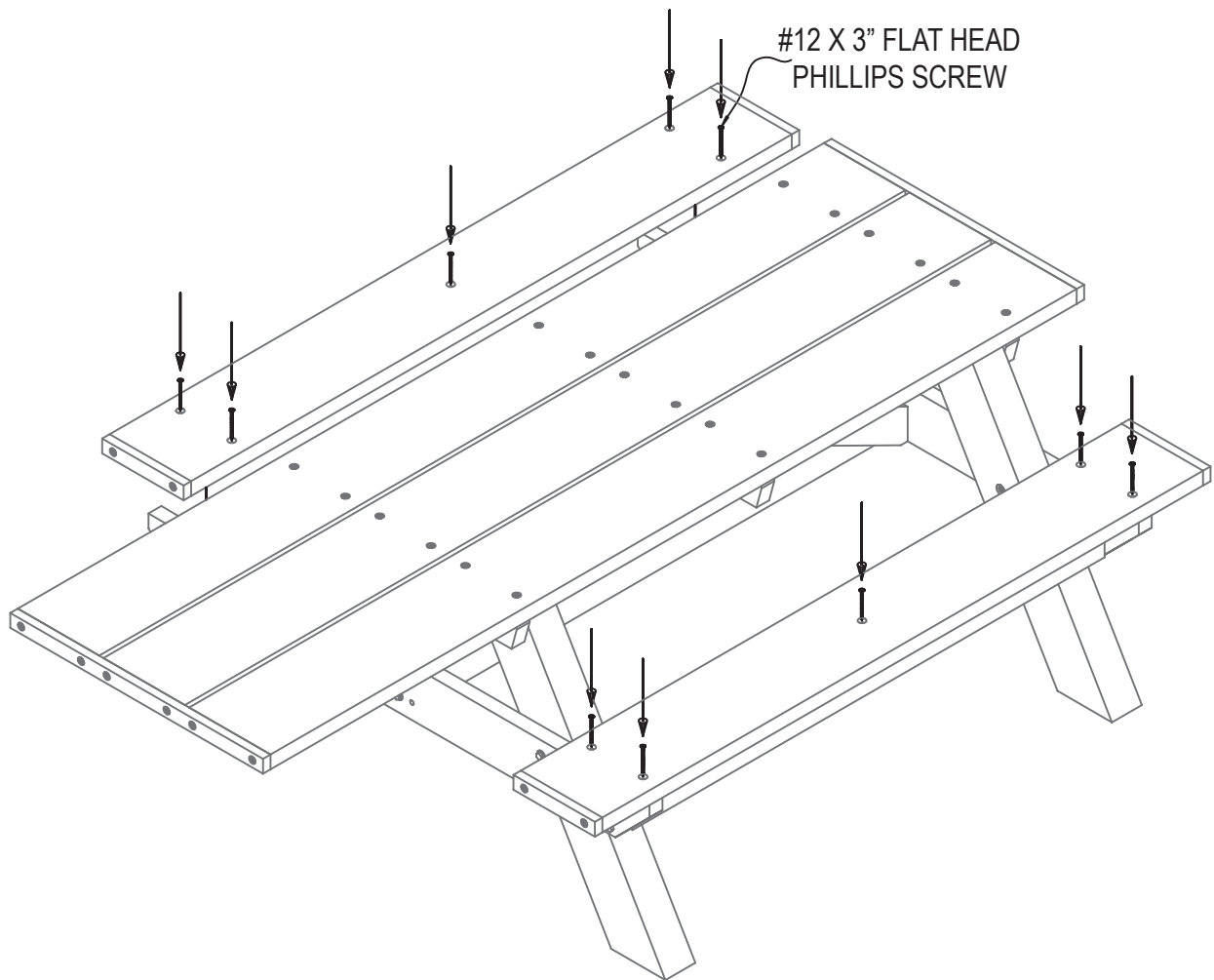
WHILE THE TABLE TOP IS UPSIDE-DOWN, FASTEN THE UNDER SEAT SUPPORTS TO THE SEAT CROSS SUPPORTS. USE ( 1 ) ONE 3/8" X 3" HEX HEAD LAG BOLT AND ( 1 ) ONE 3/8" FLAT WASHER PER HOLE TO SECURE.





**STEP #7:**

FLIP THE TABLE UPRIGHT ONTO THE LEGS. PLEASE TAKE CAUTION WHILE FLIPPING THE TABLE. AT THIS POINT IN ASSEMBLY, THE TABLE WEIGHS APPROXIMATELY 290 POUNDS.



**STEP #8:**

WHILE THE TABLE IS UPRIGHT, FASTEN THE SEATS TO THE SEAT CROSS SUPPORTS AND UNDER SEAT SUPPORTS BEING SURE TO CENTER ALL HOLES OVER BOARDS. USE ( 1 ) ONE #12 X 3" FLAT HEAD PHILLIPS SCREW PER HOLE TO SECURE.