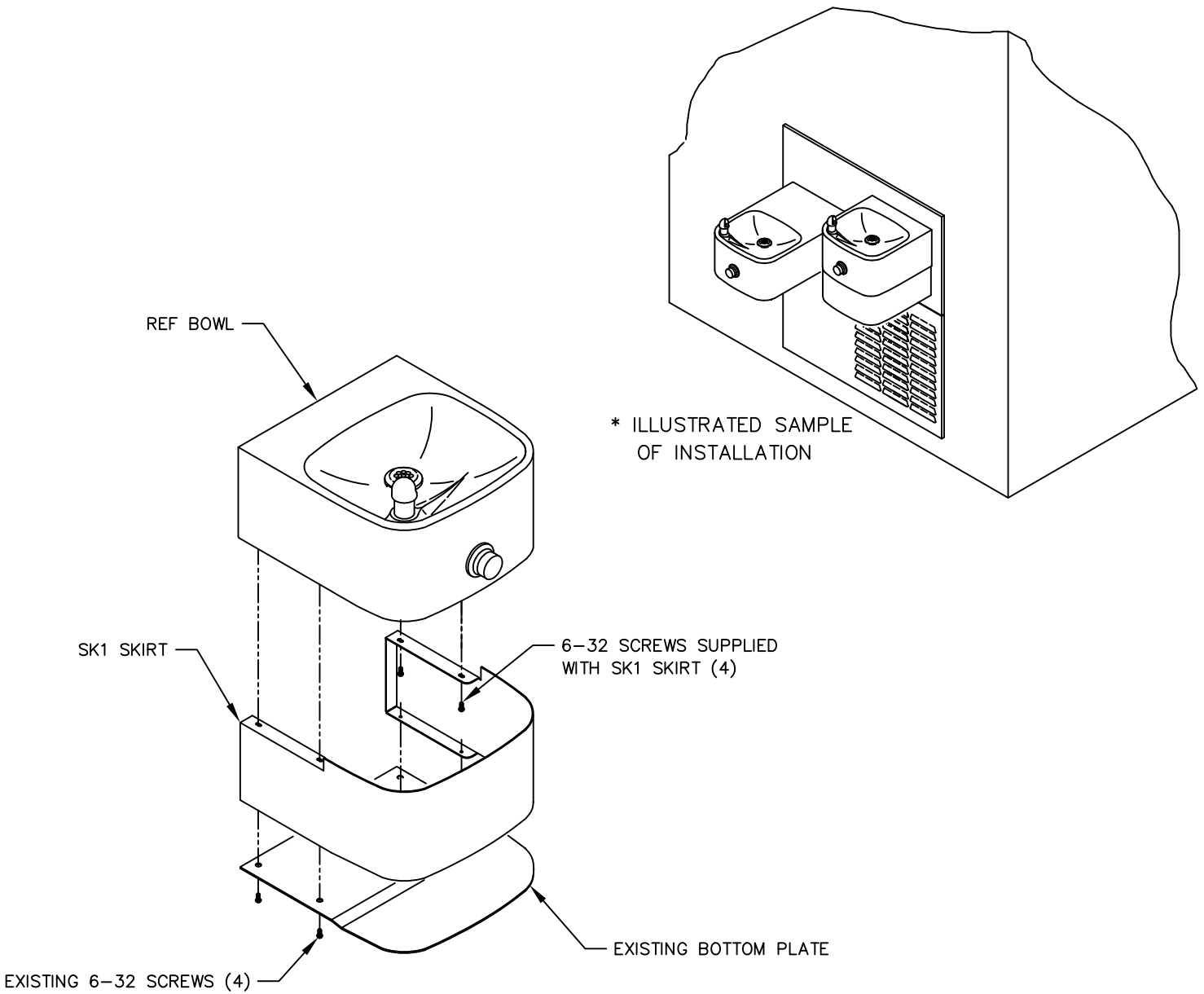


Satin Stainless Steel Cane Touch Skirt



** REMOVE BOTTOM PLATE. ATTACH SKIRT WITH 6-32 X 1/4 BUTTON HEAD SCREWS SUPPLIED. REATTACH BOTTOM PLATE WITH EXISTING 6-32 SCREWS.