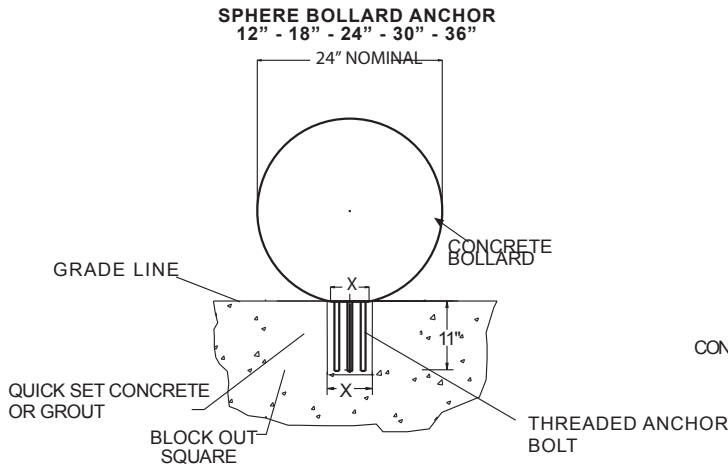


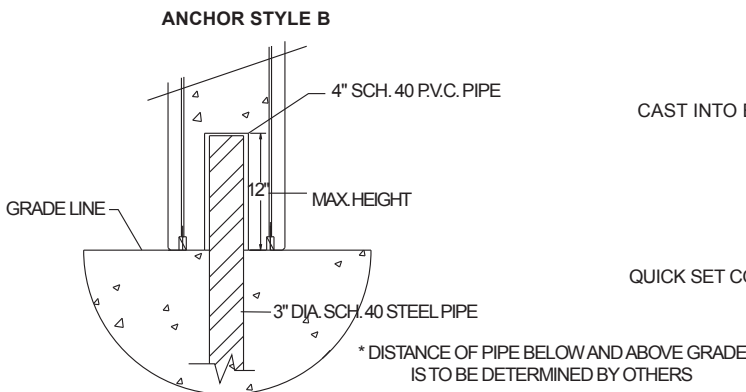
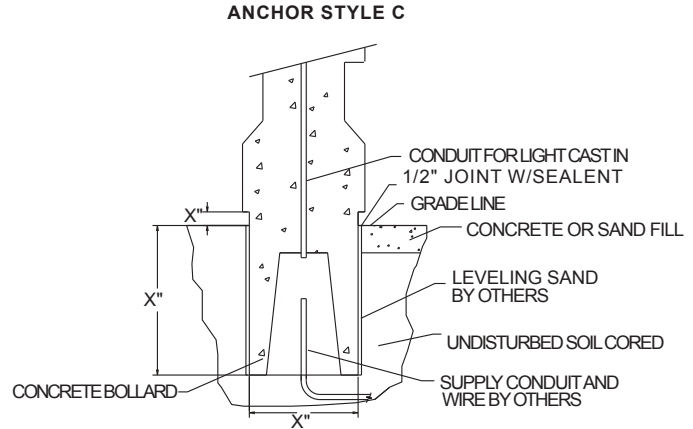
**Model # TF6101**

**Anchoring Instructions**

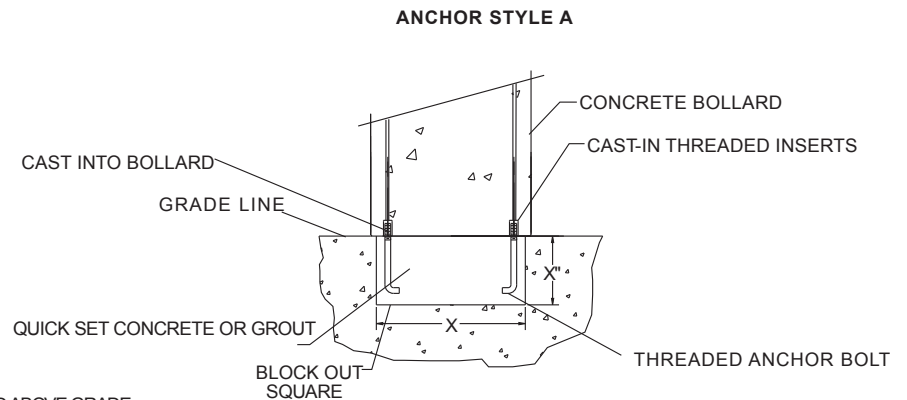
**CONCRETE BOLLARD**



X = BLOCKOUT DIMENSION SHOULD BE 1/2" LESS THAN THE OUTSIDE OF THE SURFACE AREA TOUCHING THE GROUND.



NOTE: THIS TYPE ANCHORING IS ALSO USED AS A BARRICADE.  
 BOLLARD HELD IN PLACE BY STEEL PIPE  
 STEEL PIPE MUST BE ANCHORED IN CONCRETE FOOTING  
 TYP. 12" DIA. CONCRETE BOLLARD SAME  
 ANCHORING SYSTEM USED ON 4" AND 18" DIA. OR SQ. BOLLARDS



NOTE: THIS TYPE ANCHORING IS NOT USED AS BARRICADE.  
 IF USING BOLLARD WITH LIGHT, RUN CONDUIT THROUGH CENTER OF BOLT PATTERN AND STUB OUT.  
 X = BLOCKOUT DIMENSION SHOULD BE 1/2" LESS THAN THE OUTSIDE OF THE BOLLARD.